



30GSF Series

Air Cooled Scroll Chiller

Nominal : 18 - 45 Tons



30GSF SERIES

Air Cooled Scroll Chiller

Features



- Low-noise scroll compressors with Low vibration level
- The compressor assembly is installed on an independent chassis and supported by anti-vibration mountings
- Dynamic suction and discharge piping support, minimizing vibration transmission
- Maintenance-free scroll compressors
- Low operating sound with no intrusive low-frequency noise, creates a better working/living environment.
- Environment sound refrigerant HFC-407C of zero ozone depletion potential.
- Single refrigerant circuit for maximum safety and part loaded operation
- Completed with control panel, unit operation at low different pressure
- Manufactured in factory with ISO9002 Certified

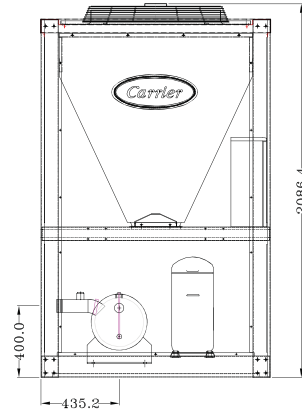
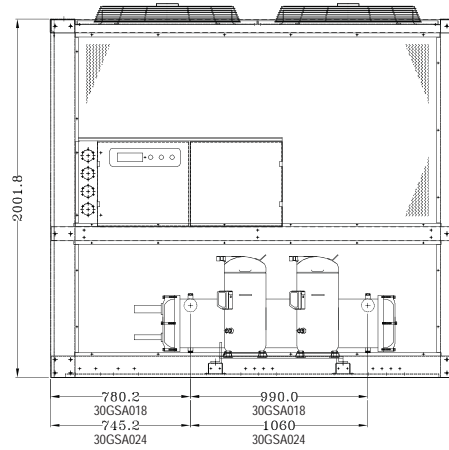
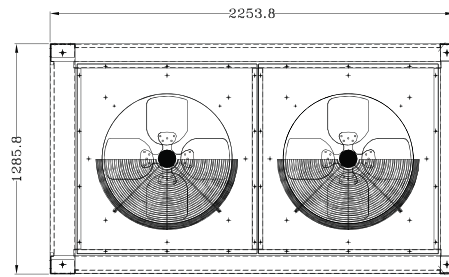
Physical Data

Description			Air Cooled Scroll Chiller Unit					
Model			30GSF018	30GSF024	30GSF030	30GSF036	30GSF048	
Nominal Capacity	kW		61.5	78.3	107.3	123.1	158.3	
	Btu/Hr		210,000	267,000	366,000	420,000	540,000	
Power Input	kW		20.55	26.86	35.06	41.10	53.78	
Operating Current	Amp.		42	54	71	83	109	
Cooler	Type		Shell and Tube DX Cooler					
	Model		EST030-2-10	EST035-2-10	EST040-2-10	EST060-2-10	EST080-2-10	
	Water Flow Rate	GPM	42	53	73	84	108	
	Pressure Drop	FT.WG	11.5	14.8	5.8	8.3	8.5	
Water Connection	Type		Male Pipe Thread				Nut Flange	
	Inlet Pipe	Inch	2-1/2	2-1/2	2-1/2	3.0	4.0	
	Outlet Pipe	Inch	2-1/2	2-1/2	2-1/2	3.0	4.0	
Compressor	Type		Scroll Compressor					
	Quantity		2	2	4	4	4	
Fan Motor	Power Supply	V/Ph/Hz	380/3/50					
	Power Input	W	630					
	RLA	Amp.	2.21		1.00		2.21	
	Fan Type		Propeller					
	Drive Type		Direct					
	QTY		2	2	4	4	4	
Fan Dimension			28.0" x 4Blade		24.0" x 4Blade		28.0" x 4Blade	
Condenser	Face Area	sq.ft	50.44	50.44	77.76	100.88	100.88	
	Density	FPI	18	18	18	18	18	
	Row		1.7	2	2	1.7	2	
	Air Flow	CFM	21,600	21,520	30,772	43,200	43,040	
Refrigerant			R-407C					
Shipping Weight		kg.	1,200	1,340	1,870	2,020	2,170	
Refrigerant charging from factory		kg.	18	23	31	35	47	
Unit Size	Width	mm.	2,254	2,254	2,045	2,254	2,254	
	Height	mm.	2,002	2,002	1,945	2,002	2,002	
	Depth	mm.	1,286	1,286	2,050	2,538	2,538	

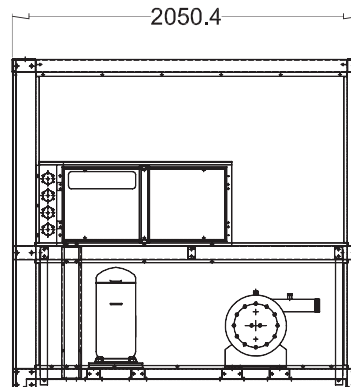
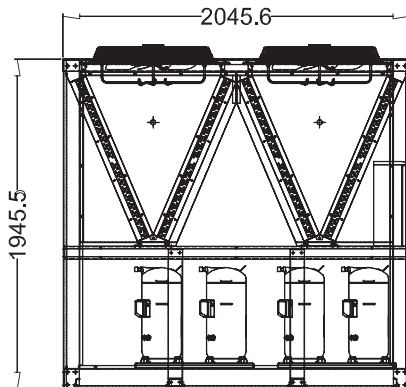
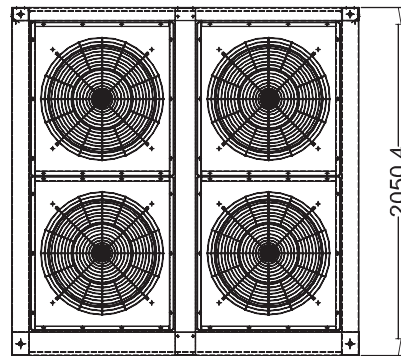
Remark : Rating at

1. Ambient Temperature 95°F
2. Leaving Chilled Water Temperature 45°F
3. Entering Chilled Water Temperature 55°F

Unit dimensions

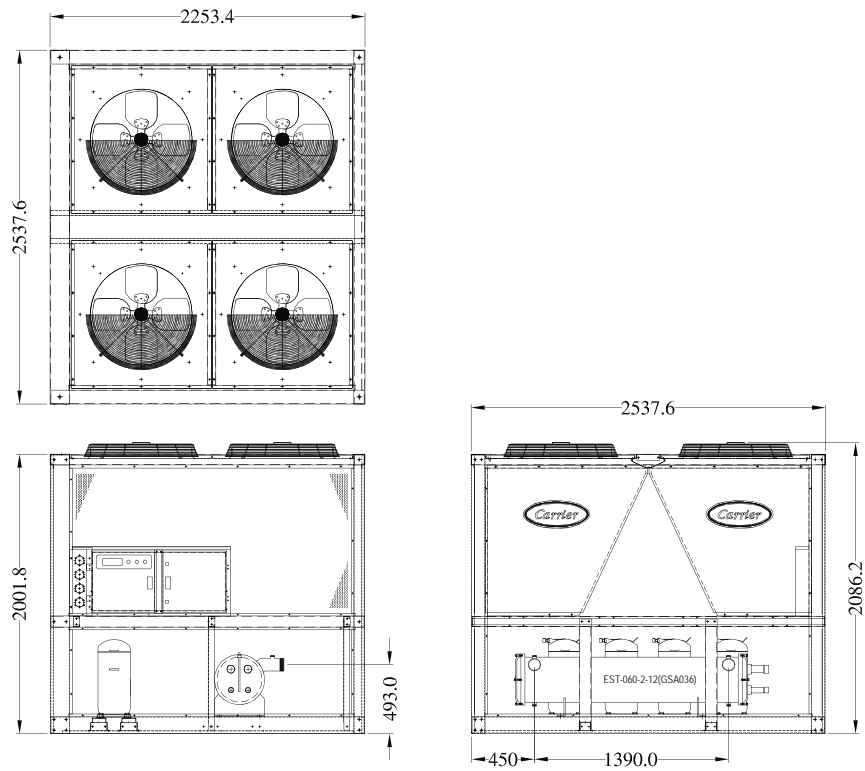


Model : 30GSF018-024

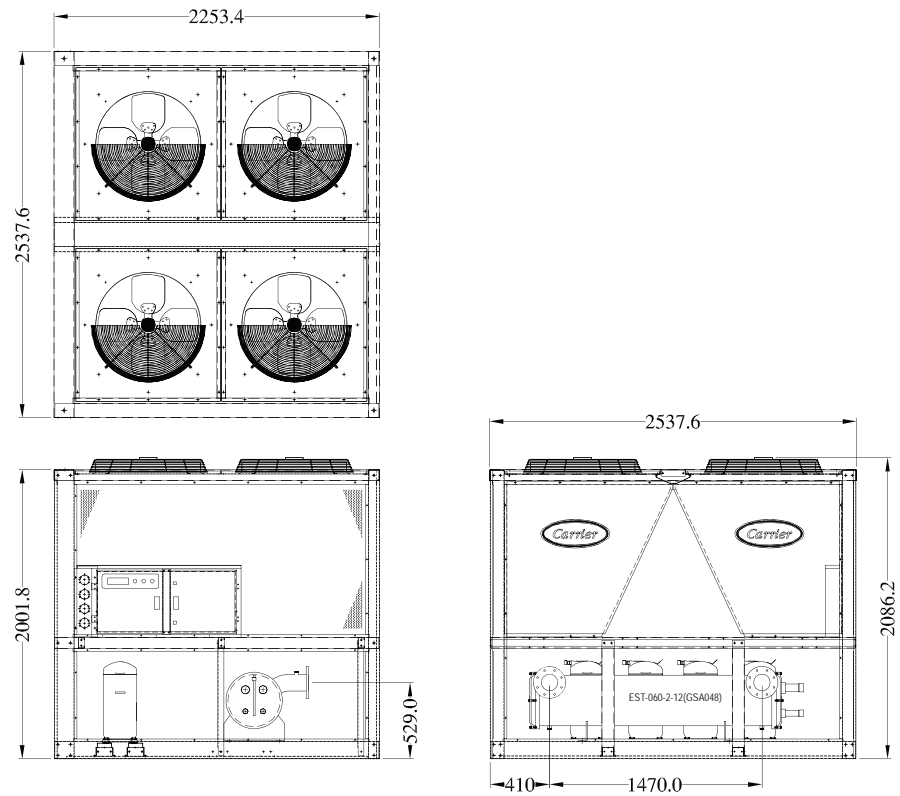


Model : 30GSF030

Unit dimensions

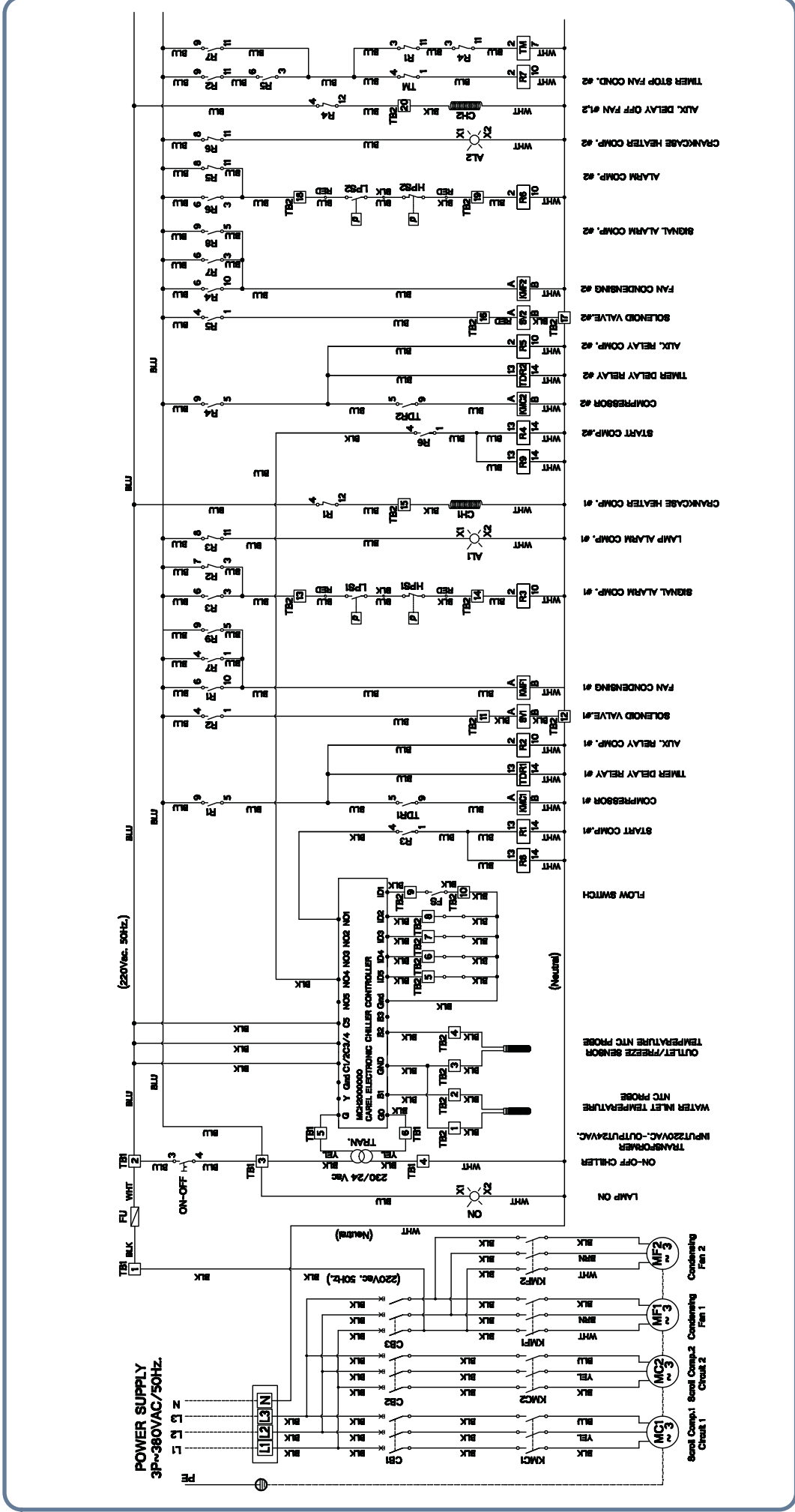


Model : 30GSF036



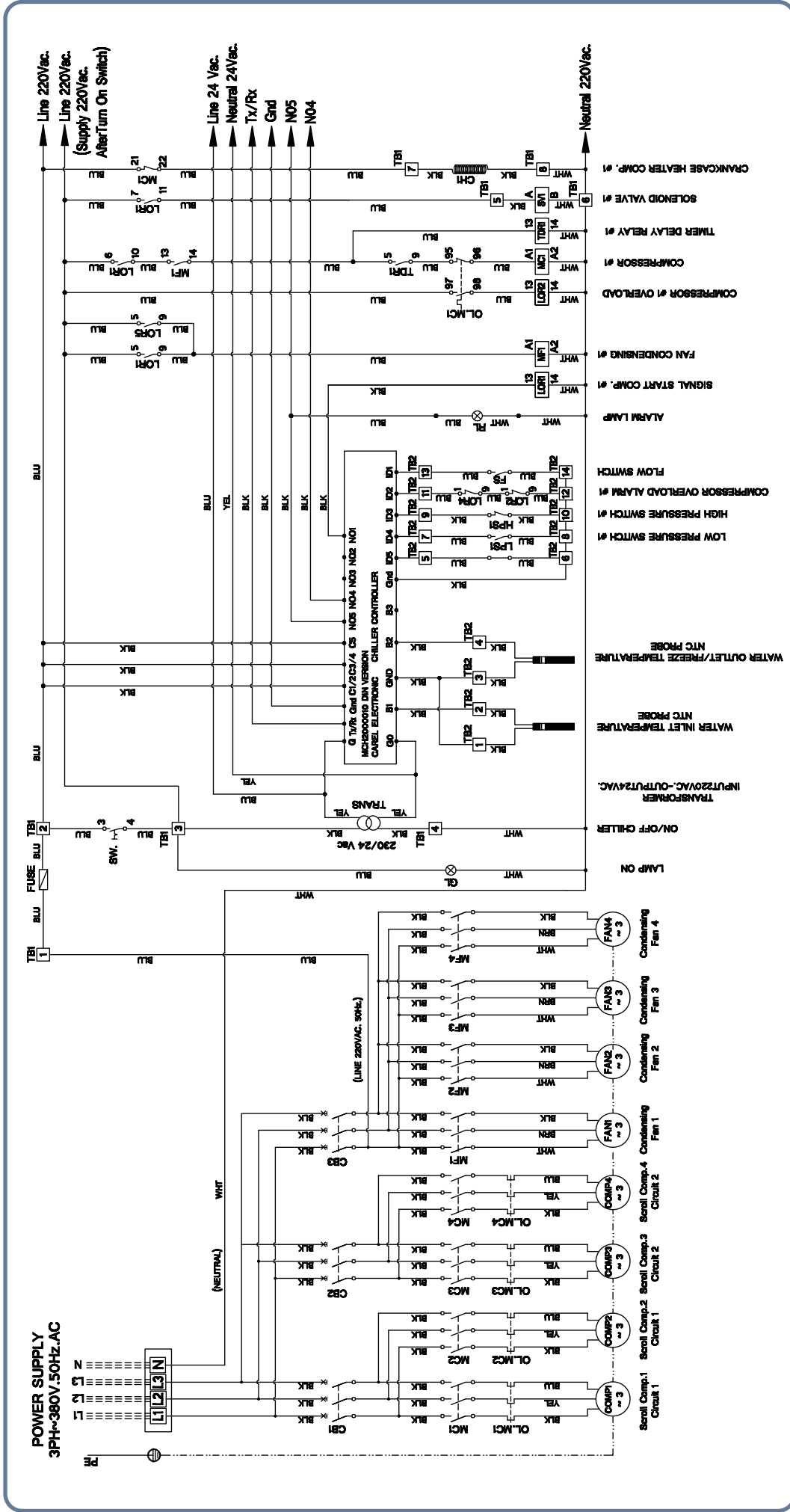
Model : 30GSF048

Electrical wiring diagrams



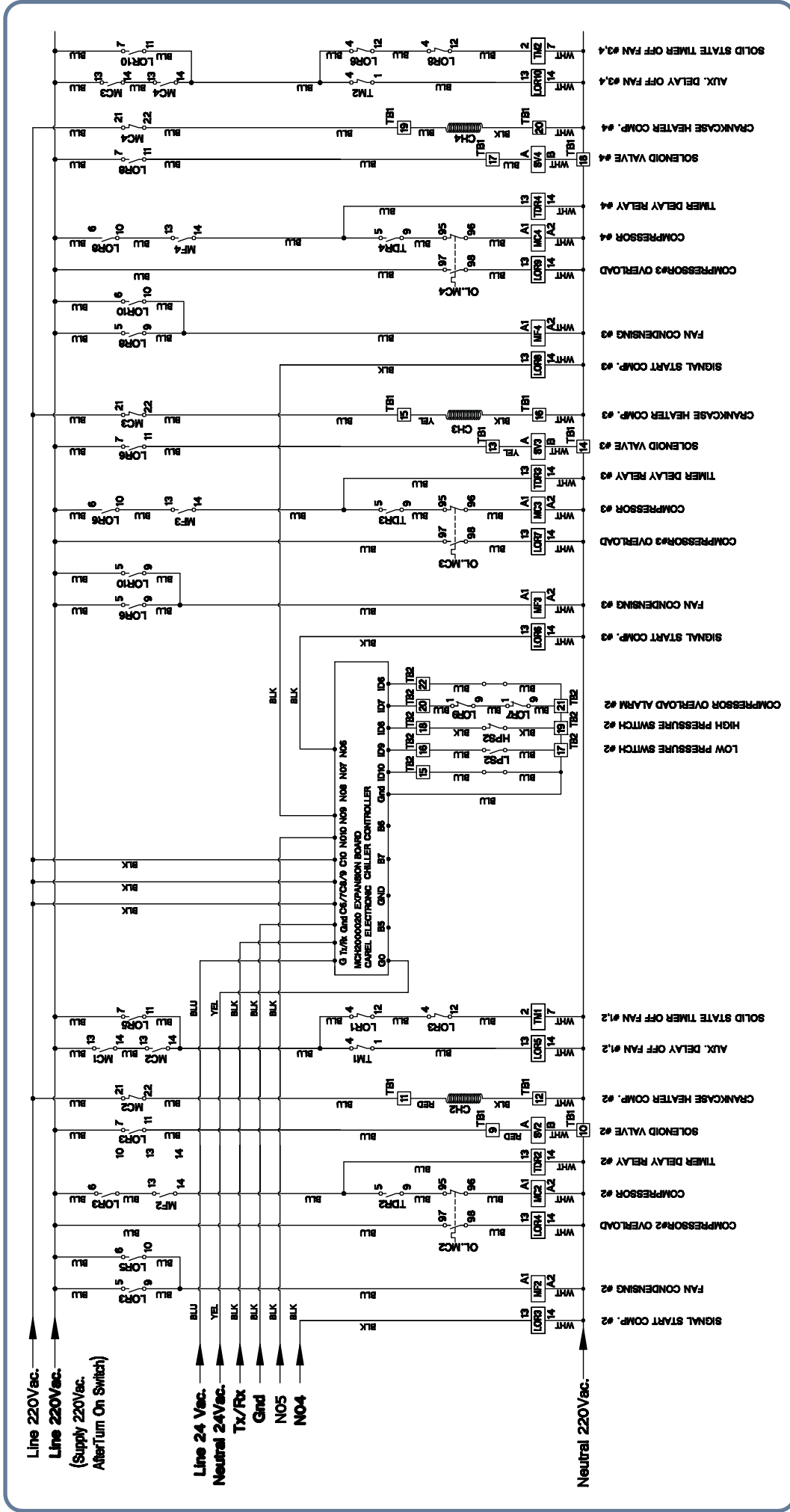
Model : 30GSF018-024

Electrical wiring diagrams



Model : 30GSA030 - 048#1

Electrical wiring diagrams



Model:30GSA030 - 048#2



บริษัท แคนเรียร์ (ประเทศไทย) จำกัด

1858/63-74 ชั้น 14-15 ถ.บางนา-ตราด
กม. 4.5 บางนา กรุงเทพฯ 10260
โทร. 0-2762-9222 แฟกซ์: 0-2751-4778

Carrier (Thailand) Ltd.

1858/63-74, 14th-15th Floor, Bangna-Trad Road,
Km. 4.5, Bangna, Bangkok 10260 Thailand
Tel. 0-2762-9222 Fax: 0-2751-4778



YOUR CARRIER MAN :

Carrier reserves the right to make changes in specifications without prior notice.
บริษัทฯ ขอสงวนสิทธิ์ที่จะเปลี่ยนแปลงรายละเอียดข้างต้น โดยไม่ต้องแจ้งให้ทราบล่วงหน้า