



Air Cooled Water Chiller

Model 30LFW Series

Nominal : 2.5-8.8 Tons



30LFW Series



The Practical and Versatile 30LFW Air Cooled Water Chiller.

Carrier introduces yet another innovative range of cooled water chiller. A versatile, energy-efficient series that adds a new dimension to air cooled water chiller. Elegant designed and offering cool, quiet comfort, it ideal for your office. Choose from 6 sizes, there's one for every room requirement.

Features

- Flexible Air Discharge Configuration-vertically (STD.) or horizontally.
- Direct Driven Condenser Fan-ensures quiet, dependable operation.
- Fully Hermetic Scroll Compressor-high efficiency & 2 reliable.
- High & Low Pressure Switches-ensures compressor protection.
- Compressor Sound Shield ensures quiet operation.
- Carrier Lanced Sine Wave Fin Pattern - ensures high EER performance.
- Shut off Service Valve-servicable units.

Physical Data

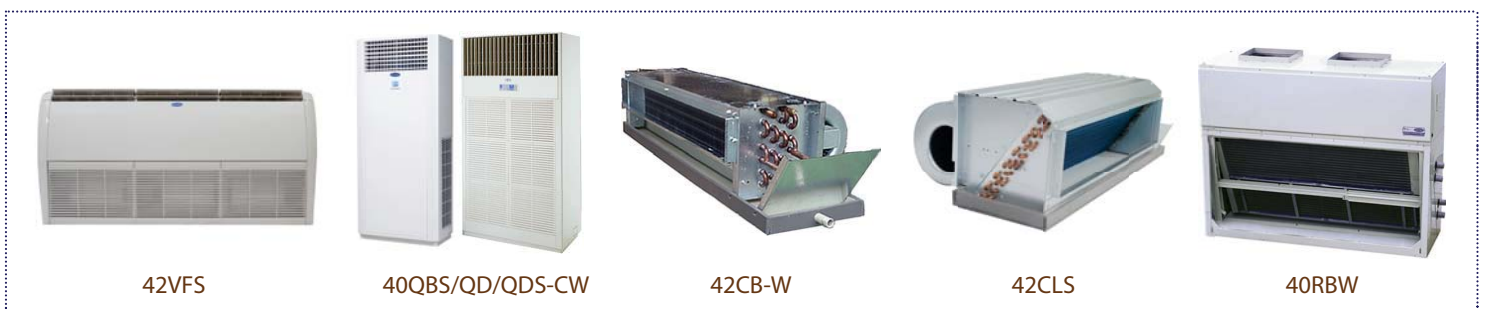
Description		Air Cooled Water Chiller						
Chiller Model		30LFW030	30LFW040	30LFW050	30LFW060	30LFW095	30LFW105	
Power Supply	V/Ph/Hz.	380Volt / 3Phase / 50Hz. (4wires)						
Nominal Capacity	kW	8.7	12.0	14.7	17.0	26.7	30.8	
	Btu/Hr	29,700	41,100	50,000	58,100	91,000	105,000	
	Tons	2.5	3.4	4.2	4.8	7.6	8.8	
Power(Input)	W	3,174	4,184	4,934	5,846	8,786	10,230	
Operating Current	A	6.40	8.40	9.67	11.40	17.00	19.81	
Cooler	Type	Plate Heat Exchanger						
	Model	B15 x30	B25TH x20	B25H x32	B80H x38	B80H x46	V25TH x50	
	Water Flow Rate	GPM	5.9	8.2	10.0	11.6	18.2	21.0
	Pressure Drop	FT.WG	6.7	15.1	13.1	8.7	8.9	16.9
Water Connection	Type	Female Pipe Thread						
	Inlet/Outlet	Inch	(3/4)/(3/4)	(3/4)/(3/4)	(3/4)/(3/4)	(1 - 1/4)/(1 - 1/4)	(1 - 1/4)/(1 - 1/4)	(1 - 1/4)/(1 - 1/4)
Compressor	Power Supply	V/Ph/Hz.	380 / 3 / 50					
	Type	Scroll Compressor						
	Quantity		1	1	1	1	1	1
Fan motor	Power Supply	V/Ph/Hz.	220 / 1 / 50			380 / 3 / 50		
	Power Input	W	264	264	264	336	336	630
	RLA	A	1.27	1.27	1.27	1.00	1.00	2.21
	Quantity		1	1	1	1	1	1
	Fan type	Propeller						
	Drive type	Direct						
Shipping Weight (Combine Unit)	kg.	140	145	150	290	320	360	
Refrigerant charge R-407C	kg.	2.6	2.9	3.1	5.3	5.5	6.2	

Remark : Rating at Ambient Temperature 95 °F

Leaving Chilled Water Temperature 45 °F

Entering Chilled Water Temperature 55 °F

Compatible With



42VFS

40QBS/QD/QDS-CW

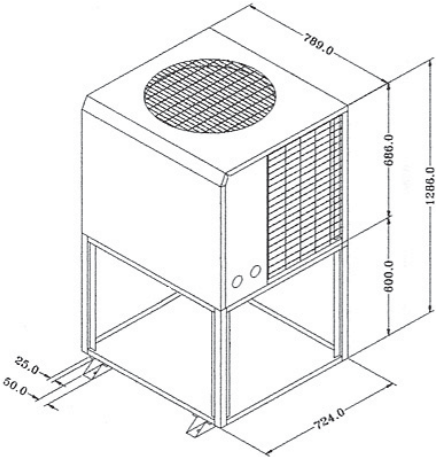
42CB-W

42CLS

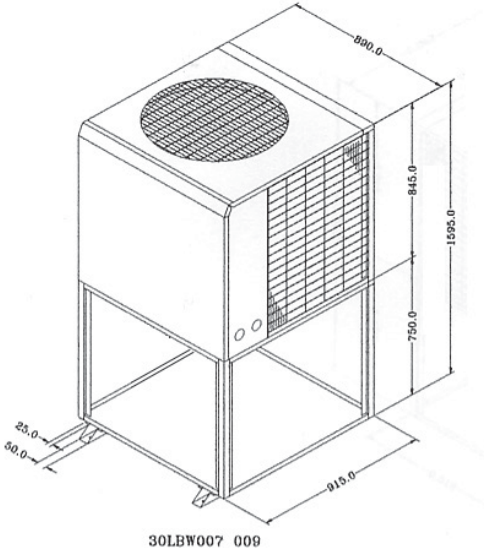
40RBW

Unit dimensions

Model : 30LFW030, 040, 050

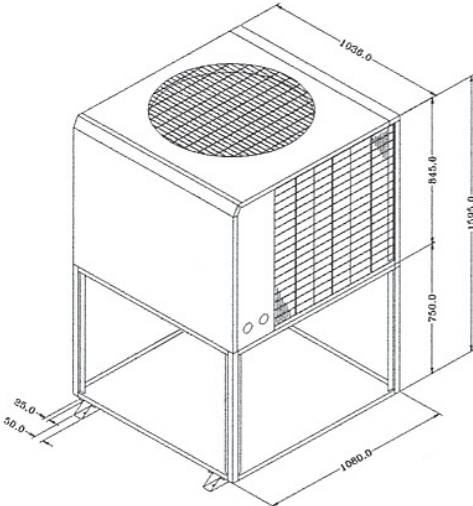


Model : 30LFW060, 095



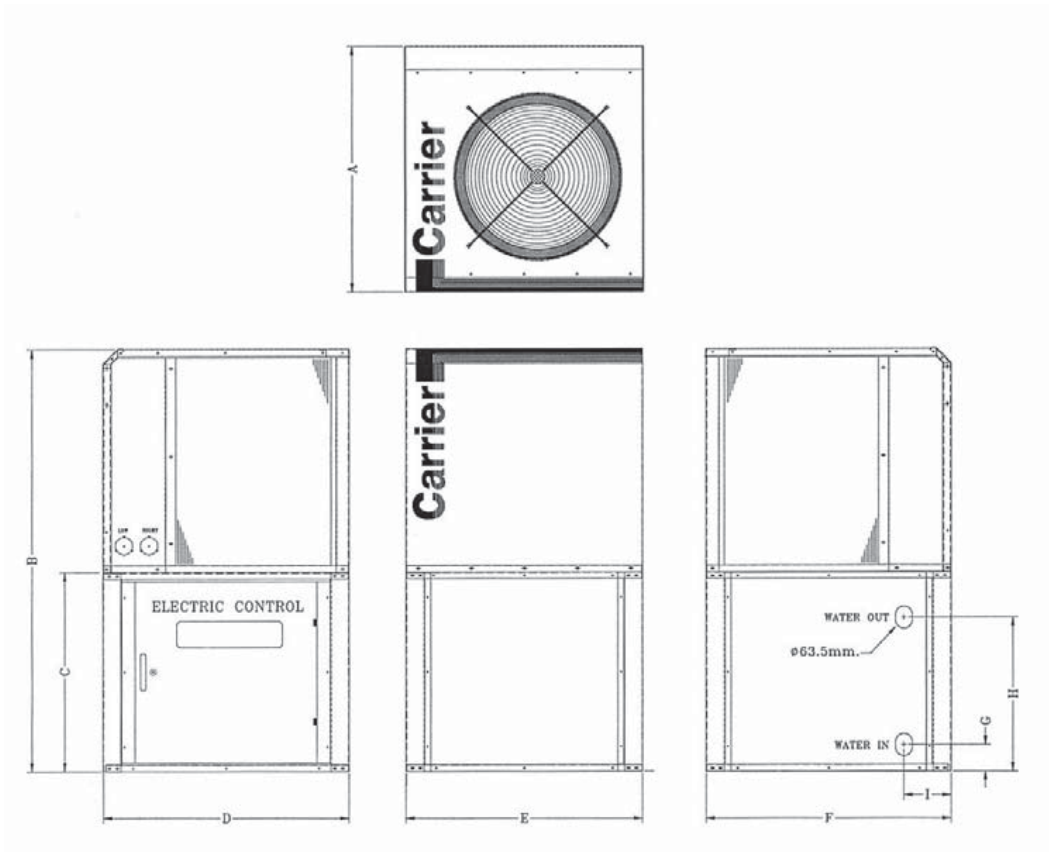
30LBW007 009

Model : 30LFW105



30LBW012

Outline drawing



	30LFW030,040,050	30LFW060,095	30LFW105
A	725	930	1080
B	1,290	1,590	1,595
C	600	750	750
D	725	930	1,080
E	790	890	1,036
F	725	930	1,080
G	70	100	95
H	530	580	570
I	225	180	238

บริษัท แคนเรียร์ (ประเทศไทย) จำกัด

1858/63-74 ชั้น 14-15 ถ.บางนา-ตราด
กม. 4.5 บางนา กรุงเทพฯ 10260
โทร. 0-2762-9222 แฟกซ์: 0-2751-4778

Carrier (Thailand) Ltd.

1858/63-74, 14th-15th Floor, Bangna-Trad Road,
Km. 4.5, Bangna, Bangkok 10260 Thailand
Tel. 0-2762-9222 Fax: 0-2751-4778



YOUR CARRIER MAN :

Carrier reserves the right to make changes in specifications without prior notice.
บริษัทฯ ขอสงวนสิทธิ์ที่จะเปลี่ยนแปลงรายละเอียดข้างต้น โดยไม่ต้องแจ้งให้ทราบล่วงหน้า