



40RBX / 38AF Series

Air Handling Unit - Split System (R-407c)

Nominal Capacity : 200,000-400,000 Btuh



World's No.1 Air Conditioning Expert

www.carrier.co.th

40RBX/38AF Series



These fan coil units offer customized arrangement with Carrier's renown dependability.

The **40RBX** air handlers provide an efficient source of conditioned air for factories, shops, offices or restaurants. Coupled with appropriate condensing unit, the **40RBX Series** produce nominal capacities from 200,000 to 400,000 btu/hr.

Slim proportions (less than 910 mm. deep) allow these units to be floor-mounted or ceiling-suspended. Modular construction allow interchangeable fan section arrangement to select optimum air discharge.

Compatible with



38AF Series

38AF Series

Air-cooled condensing units having nominal capacities 200,000 to 400,000 btu/hr. Inside and outside surface ensure long life, excellent finish and corrosion resistance.

Features

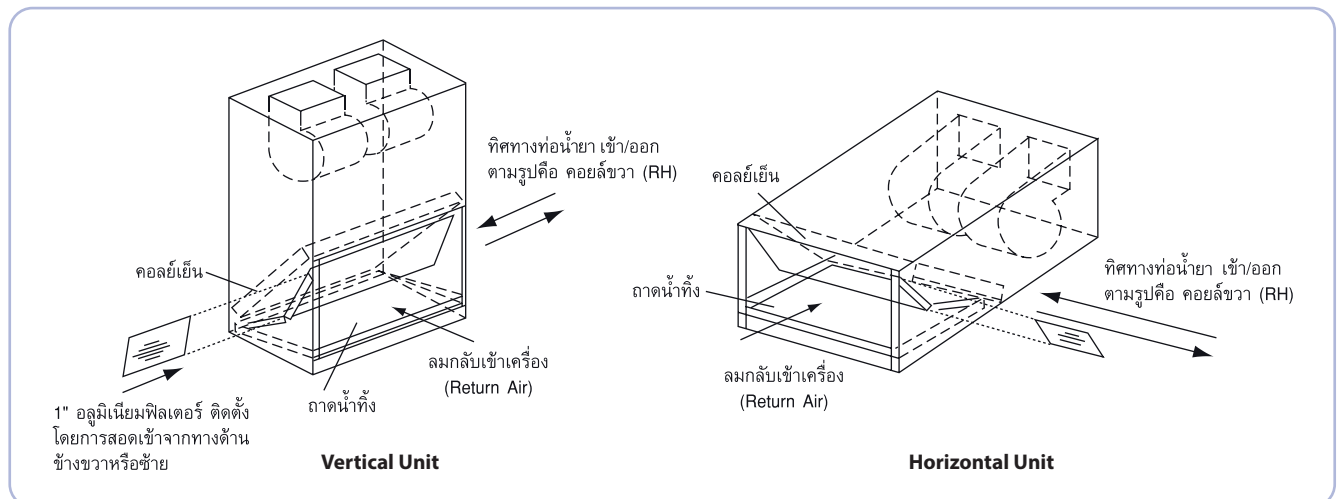
- Semi-hermetic reciprocating compressor
- Compact size
- Reliable operation

Physical data

Description		Model	38AF			
			CDU	020	025	030
		AHU	40RBX			
			020	025	030	040
Normal Capacity	Cooling Capacity *	btu/h	200,000	280,000	320,000	400,000
	Air Flowrate	cfm	7,500	8,600	10,700	13,000
Refrigerant			R-407c			
CDU						
Operating Weight		kg	524	583	620	651
Power Supply		V/Ph/Hz	380/3/50			
Dimension	Width	mm	2200	2200	2200	2200
	Height	mm	1300	1300	1300	1300
	Depth	mm	1,610	1,610	1,610	1,610
Condenser Coil	Coil Arrangement	row / fpi	1.5/15	3/15	3/15	3/15
	Coil Face Area	sq.ft	42.94	42.94	54.00	54.00
	Coil / Fin Material		Cu/Al	Cu/Al	Cu/Al	Cu/Al
	No. of circuit		1	1	1	1
Compressor	Type		Semi-Hermatic Reciprocating			
	No. of compressor(s)		1	1	1	1
	Capacity steps		0/50/100	0/66/100	0/66/100	0/66/100
Condenser fan	Type		Propeller, Direct Drive			
	Q'ty....Diameter	inch	2...28"	2...28"	2...30"	2...30"
	Fan motor power input	V/Ph/Hz	380/3/50	380/3/50	380/3/50	380/3/50
Pipe Connection	Liquid pipe dia.	Q'ty...inch	7/8"	7/8"	7/8"	7/8"
	Suction pipe dia.	Q'ty...inch	1-5/8"	1-5/8"	2-1/8"	2-1/8"
AHU						
Operating Weight		kg	282	304	505	525
Power Supply		V/Ph/Hz	380/3/50			
Air Flowrate Range		cfm	6,100 - 7,600	7,000 - 8,600	8,600-10,800	10,500 -13,100
Cooling Coil	Coil Arrangement	row / fpi	3/14	4/14	4/14	4/14
	Coil Face Area	sq.ft	15.23	17.39	21.72	26.30
	Coil / Fin Material		Cu/Al	Cu/Al	Cu/Al	Cu/Al
	TXV Q'ty...Size	ton	2...7.5	2...10	2...12	2...15
	No. of circuit		2	2	2	2
Fan	Fan Size	inch	15"x15"	15"x15"	18"x18"	18"x18"
	Fan Q'ty		2	2	2	2
	Standard speed	rpm	638	705	641	641
Motor	Standard motor size	hp	3	5	7.5	7.5
	Motor speed	rpm	1430	1410	1435	1435
	Motor range	hp	3-5	3-5	7.5-10	7.5-10
Accessories	Fan Pulley		280-1B-30	250-1B-30	280-2B-35	280-2B-35
	Motor Pulley		125-1B-28	125-1B-28	125-2B-38	125-2B-38
	Belt		B-44	B-41	B-72	B-72
	Belt Q'ty		1	1	2	2
Insulation	Type		PE Foam			
	Thermal Conductivity		0.036 w/m.K			
	Thickness		10mm			
Air Filter	Type		Washable Aluminium Filter			
	Q'ty ... Size	inch	3...16"x25"x1"	3...16"x25"x1"	2...16"x20"x2"	2...16"x20"x2"
	(Width x Height x Thickness)		3...20"x25"x1"	3...20"x25"x1"	6...20"x25"x2"	6...20"x25"x2"
Pipe Connection	Liquid pipe dia.	Q'ty...inch	2 ... 5/8"	2 ... 5/8"	2 ... 5/8"	2 ... 7/8"
	Suction pipe dia.	Q'ty...inch	2... 1-3/8"	2... 1-3/8"	2... 1-3/8"	2 ... 1-3/8"
	Condensate drain dia.		1"	1"	2"	2"
	Condensate drain connection type		Female Pipe Thread			

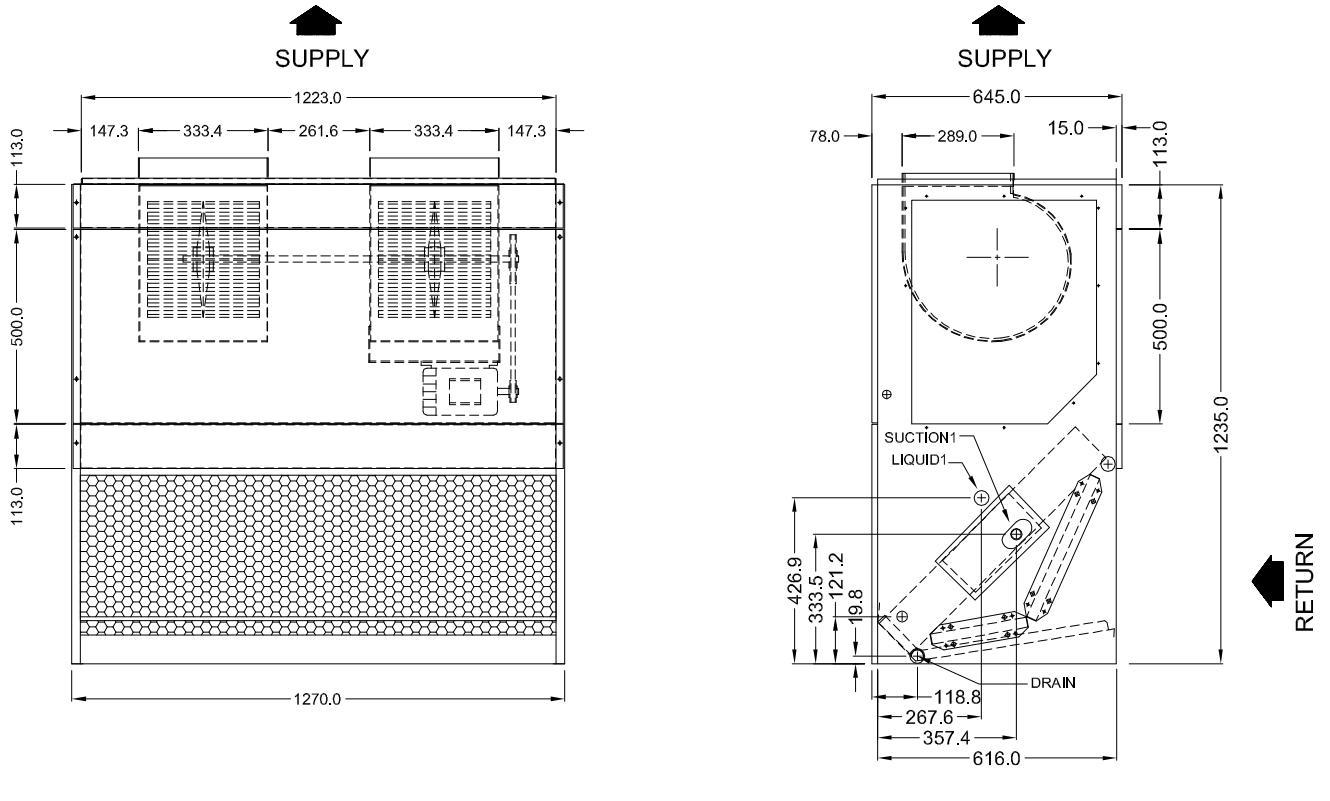
Remark : Cooling Capacity Based Ent-Air Temp 80 °Fdb/67 °Fwb, Max Air Flowrate.

Coil connection

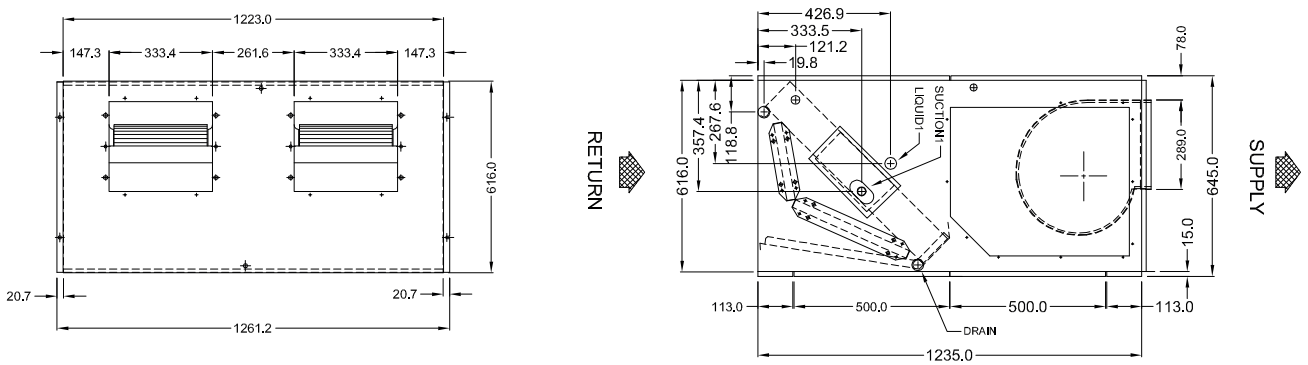


Unit dimensions

40RBX012 Vertical Type

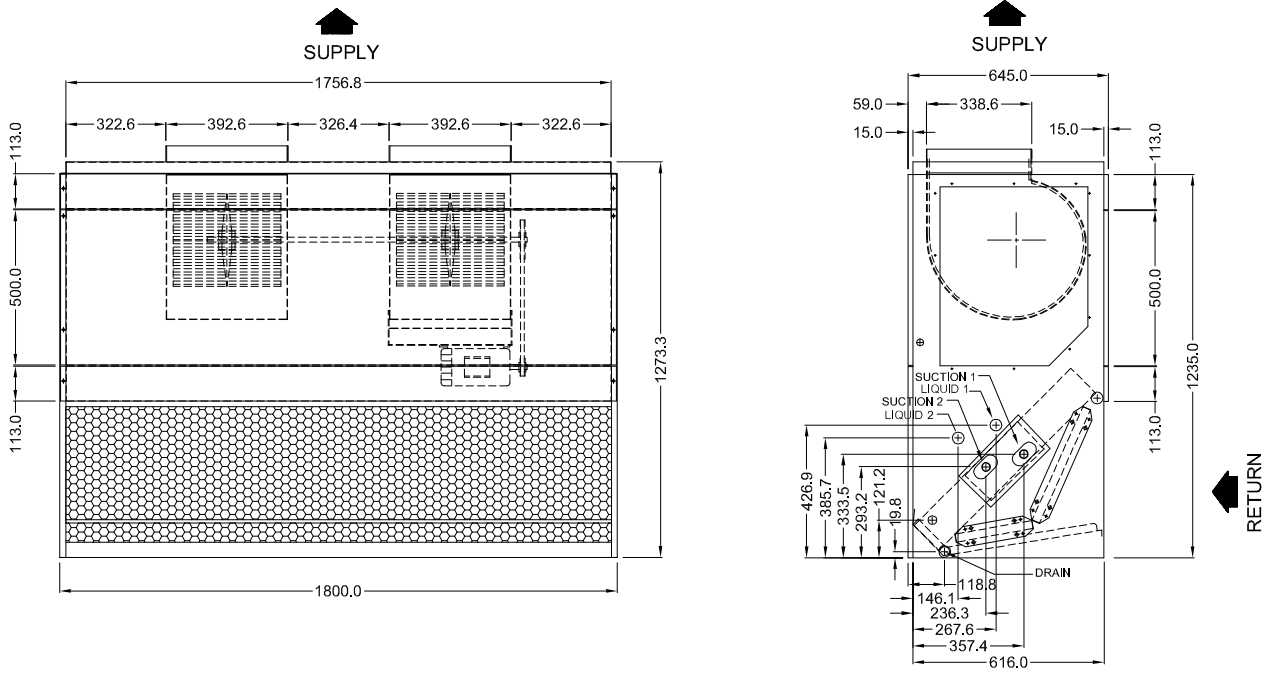


40RBX012 Horizontal Type

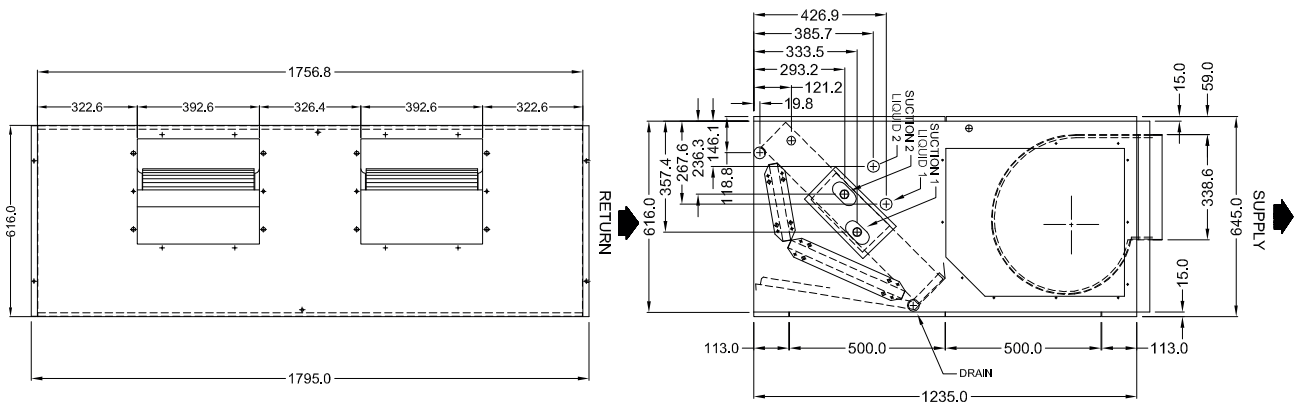


Unit dimensions

40RBX015 Vertical Type

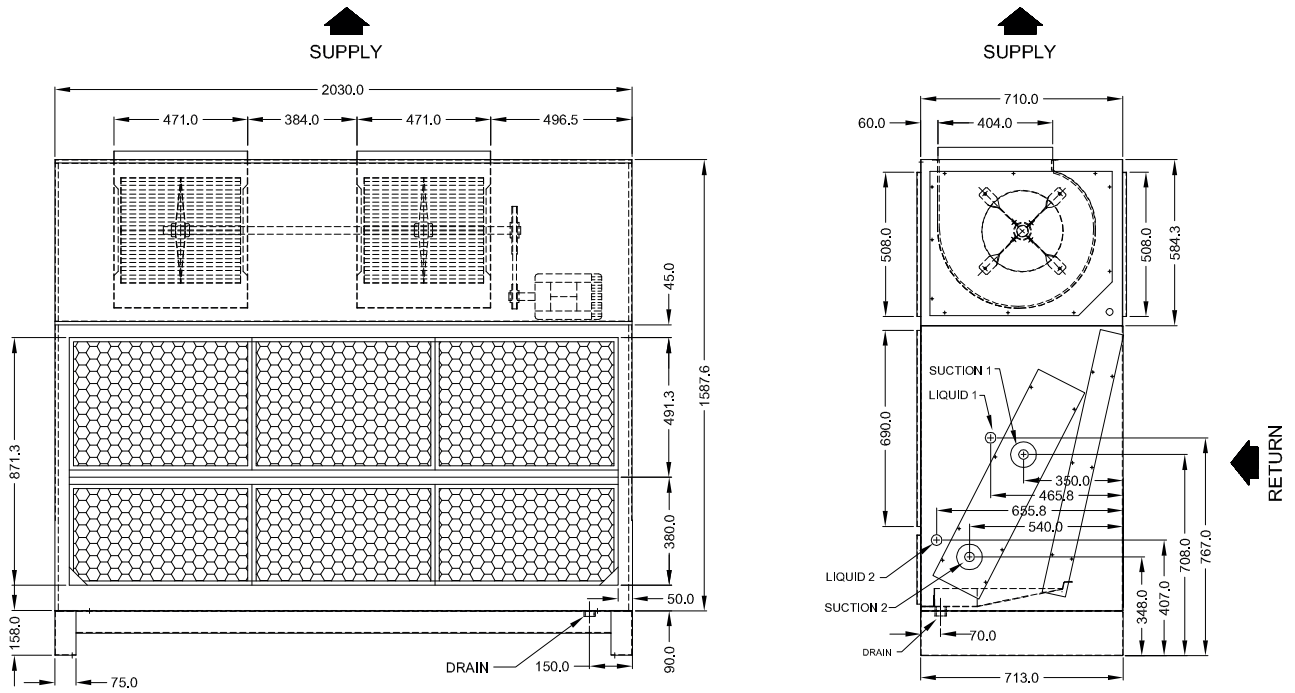


40RBX15 Horizontal Type

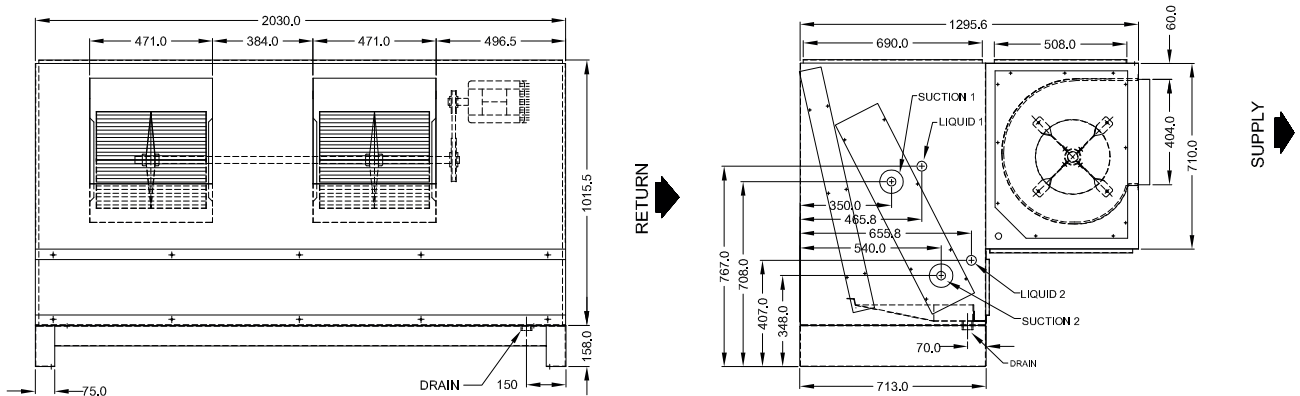


Unit dimensions

40RBX020, 025 Vertical Type

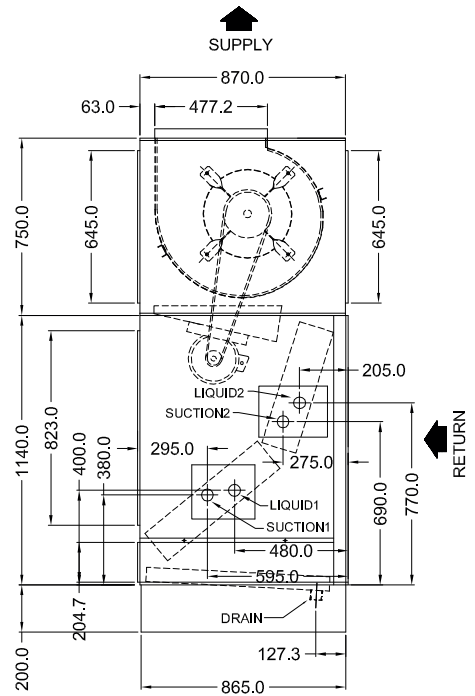
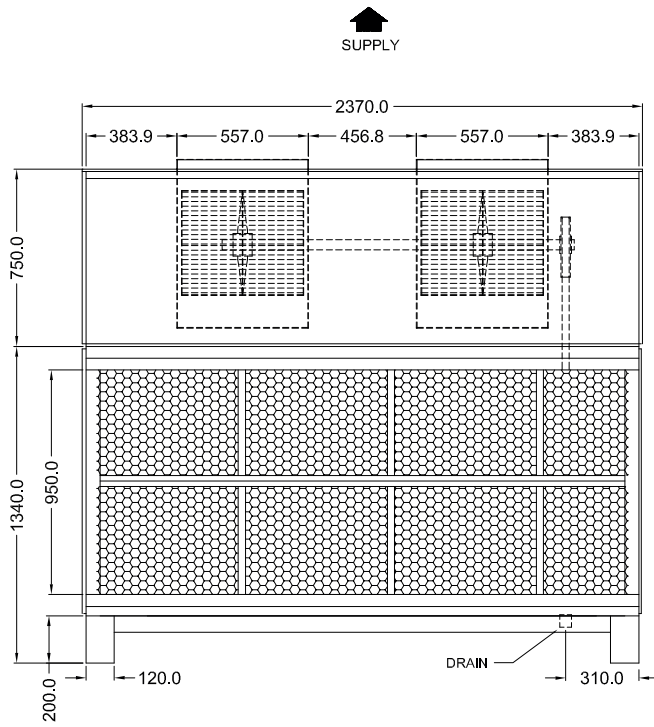


40RBX020, 025 Horizontal Type

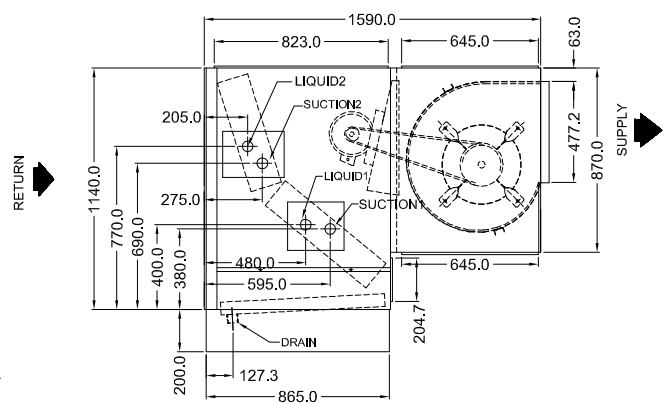
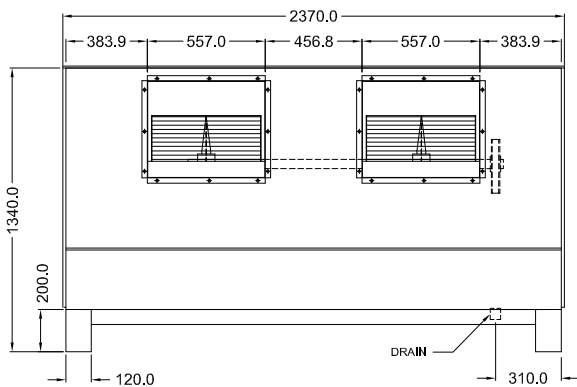


Unit dimensions

40RBX030, 040 Vertical Type

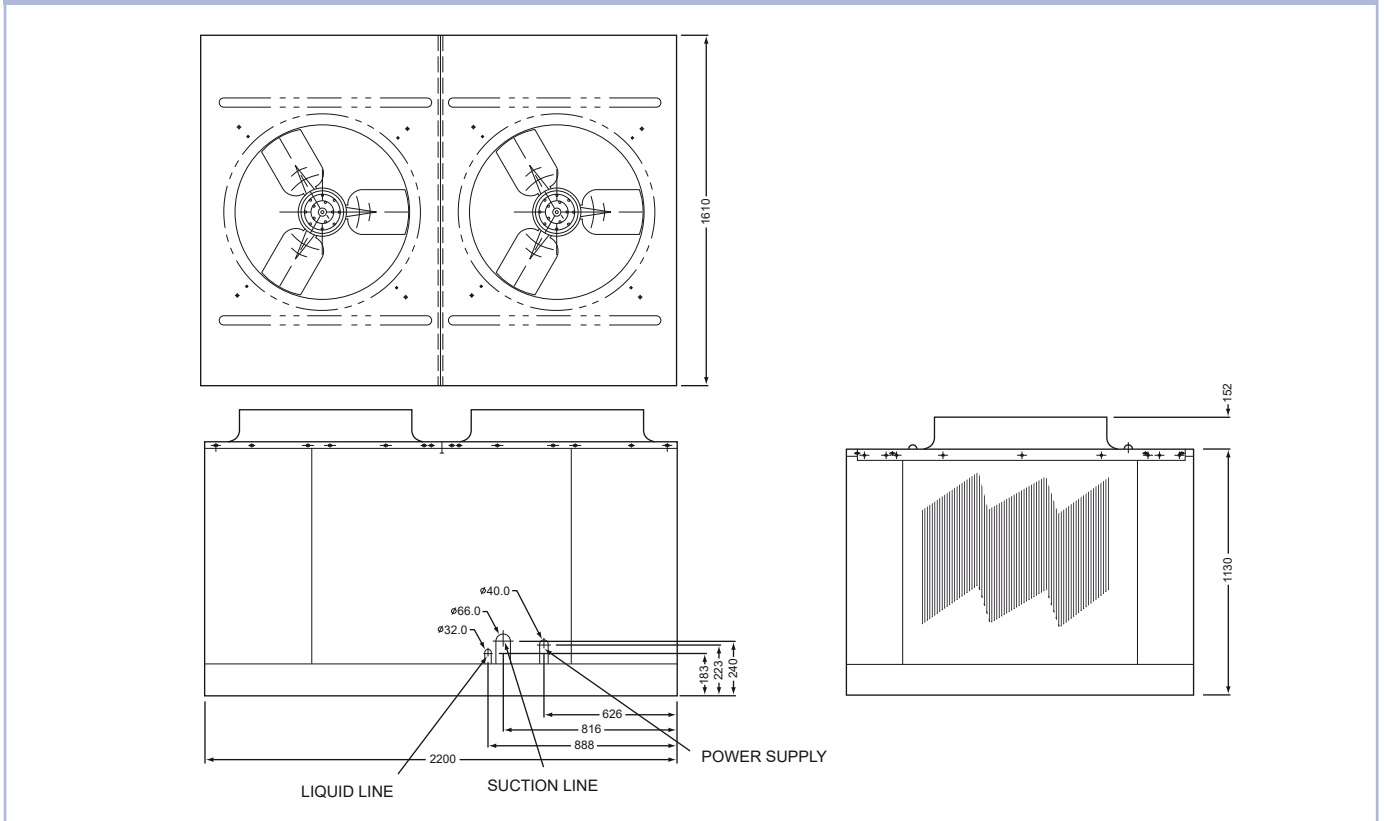


40RBX030, 040 Horizontal Type



Unit dimensions

38AF020-040



บริษัท แคนเรียร์ (ประเทศไทย) จำกัด
 1858/63-74 ชั้น 14, 15
 จ.เทพรัตน กม. 4.5 แขวงบางนาใต้
 เขตบางนา กรุงเทพฯ 10260
 โทร. 0-2090-9999 แฟกซ์: 0-2751-4778

Carrier (Thailand) Ltd.
 1858/63-74 , 14th, 15th Floor,
 Debaratna Road, Km.4.5, Bangna Tai,
 Bangna Bangkok 10260 Thailand
 Tel. 0-2090-9999 Fax: 0-2751-4778

บริษัทฯ ขอสงวนสิทธิ์ที่จะเปลี่ยนแปลงรายละเอียดข้างต้น โดยไม่ต้องแจ้งให้ทราบล่วงหน้า
 Carrier reserves the right to make changes in specifications without prior notice.



YOUR CARRIER MAN :