



## **40RBX Series**

*Packaged Air Handling Unit*

Nominal: 10-36 Tons



# 40RBX Series

---



***These fan coil units offer customized arrangement with Carrier's renown dependability.***

The **40RBX** air handlers provide an efficient source of conditioned air for factories, shops, offices or restaurants. Coupled with appropriate condensing unit, the **40RBX Series** produce nominal capacities from 120,000 to 400,000 btu/hr.

Slim proportions (less than 910 mm. deep) allow these units to be floor-mounted or ceiling-suspended. Modular construction allow interchangeable fan section arrangement to select optimum air discharge.

## Compatible with

---



**38AE Series**

### **38AE Series**

Air-cooled condensing units having nominal capacities 200,000 to 400,000 btu/hr. Inside and outside surface ensure long life, excellent finish and corrosion resistance.

#### **Features**

- Semi-hermetic reciprocating compressor
- Compact size
- Reliable operation



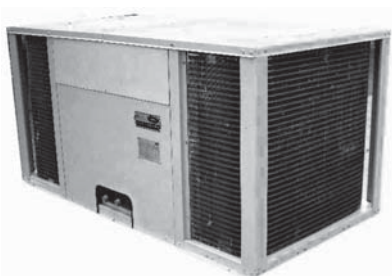
**38LB Series**

### **38LB, 38ASC Series**

Air-cooled condensing units designed for easy installation and service.

#### **Features**

- Fully hermetic Scroll compressor
- Flexible air discharge configuration
- Reliable operation



**38ASC Series**

# Physical data

Description		Model	38LB-SC		38ASC			
			CDU	012	015	140	200	240
		AHU	40RBX					
			012	015	015	020	025	030
Normal Capacity	Cooling Capacity *	btu/h	120,000	150,000	150,000	200,000	240,000	300,000
	Air Flowrate	cfm	4,000	5,400	5,400	7,500	8,600	10,700
Refrigerant			R-22					
CDU								
Operating Weight		kg	240	360	386	418	480	510
Power Supply		V/Ph/Hz	380/3/50					
Dimension	Width	mm	1040	1050	1940	1940	1940	1940
	Height	mm	1050	1150	970	970	1122	1122
	Depth	mm	1,080	1,190	1,040	1,040	1,040	1,040
Condenser Coil	Coil Arrangement	row / fpi	2/15	2/18	2/15	2/15	2/15	2/18
	Coil Face Area	sq.ft	22.66	31.86	41.50	41.50	49.12	49.12
	Coil / Fin Material		Cu/Al	Cu/Al	Cu/Al	Cu/Al	Cu/Al	Cu/Al
	No. of circuit		1	1	2	2	2	2
Compressor	Type		Hermetic Scroll					
	No. of compressor(s)		1	1	2	2	2	2
	Capacity steps		0/100	0/100	0/50/100	0/50/100	0/50/100	0/50/100
Condenser fan	Type		Propeller, Direct Drive					
	Q'ty....Diameter	inch	1...28"	1...28"	2...24"	2...24"	2...28"	2...28"
	Fan motor power input	V/Ph/Hz	220/1/50	220/1/50	220/1/50	220/1/50	220/1/50	220/1/50
Pipe Connection	Liquid pipe dia.	Q'ty...inch	5/8"	5/8"	2...1/2"	2...1/2"	2...5/8"	2...5/8"
	Suction pipe dia.	Q'ty...inch	1-1/8"	1-3/8"	2...1-1/8"	2...1-1/8"	2...1-1/8"	2...1-3/8"
AHU								
Operating Weight		kg	195	230	230	282	304	505
Power Supply		V/Ph/Hz	380/3/50					
Air Flowrate Range		cfm	3,400 - 4,100	4,400 - 5,400	4,400 - 5,400	6,100 - 7,600	7,000 - 8,600	8,600-10,800
Cooling Coil	Coil Arrangement	row / fpi	3/14	3/14	3/14	3/14	4/14	4/14
	Coil Face Area	sq.ft	8.35	10.91	10.91	15.23	17.39	21.72
	Coil / Fin Material		Cu/Al	Cu/Al	Cu/Al	Cu/Al	Cu/Al	Cu/Al
	TXV Q'ty...Size	ton	1...10	2...7.5	2...7.5	2...7.5	2...10	2...12
	No. of circuit		1	2	2	2	2	2
Fan	Fan Size	inch	10"x10"	12"x12"	12"x12"	15"x15"	15"x15"	18"x18"
	Fan Q'ty		2	2	2	2	2	2
	Standard speed	rpm	789	715	715	638	705	641
Motor	Standard motor size	hp	2	3	3	3	5	7.5
	Motor speed	rpm	1420	1430	1430	1430	1410	1435
	Motor range	hp	2-3	3-5	3-5	3-5	3-5	7.5-10
Accessories	Fan Pulley		225-1B-25	250-1B-30	250-1B-30	280-1B-30	250-1B-30	280-2B-35
	Motor Pulley		125-1B-24	125-1B-28	125-1B-28	125-1B-28	125-1B-28	125-2B-38
	Belt		B-48	B-54	B-54	B-44	B-41	B-72
	Belt Q'ty		1	1	1	1	1	2
Insulation	Type		PE Foam					
	Thermal Conductivity		0.036 w/m.K					
	Thickness		10mm					
Air Filter	Type		Washable Aluminium Filter					
	Q'ty ... Size	inch	1...10"x22"x1"	2...10"x22"x1"	2...10"x22"x1"	3...16"x25"x1"	3...16"x25"x1"	2...16"x20"x2"
	(Width x Height x Thickness)		1...16"x22"x1"	1...10"x25"x1"	1...10"x25"x1"	3...20"x25"x1"	3...20"x25"x1"	6...20"x25"x2"
			1...16"x25"x1"	2...16"x22"x1"	2...16"x22"x1"	1...16"x25"x1"	1...16"x25"x1"	
Pipe Connection	Liquid pipe dia.	Q'ty...inch	1 ... 5/8"	2 ... 5/8"	2 ... 5/8"	2 ... 5/8"	2 ... 5/8"	2 ... 5/8"
	Suction pipe dia.	Q'ty...inch	1 ... 1-1/8"	2 ... 1-1/8"	2 ... 1-1/8"	2... 1-3/8"	2... 1-3/8"	2... 1-3/8"
	Condensate drain dia.		3/4"	3/4"	3/4"	1"	1"	2"
	Condensate drain connection type		Female Pipe Thread					

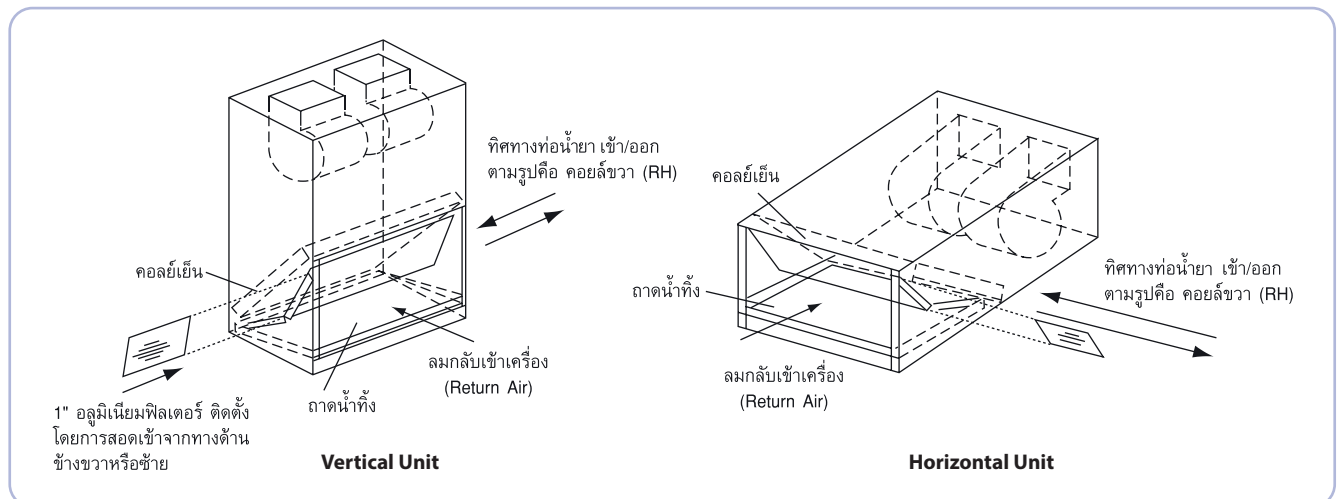
Remark : Cooling Capacity Based Ent-Air Temp 80 Fdb/67 Fwb, Max Air Flowrate.

# Physical data

Description		Model	CDU	38AE			
				020	025	030	040
		AHU	40RBX				
020	025		030	040			
Normal Capacity	Cooling Capacity *	btu/h	200,000	280,000	320,000	400,000	
	Air Flowrate	cfm	7,500	8,600	10,700	13,000	
Refrigerant			R-22				
CDU							
Operating Weight		kg	524	583	620	651	
Power Supply		V/Ph/Hz	380/3/50				
Dimension	Width	mm	2200	2200	2200	2200	
	Height	mm	1300	1300	1300	1300	
	Depth	mm	1,610	1,610	1,610	1,610	
Condenser Coil	Coil Arrangement	row / fpi	1.5/15	3/15	3/15	3/15	
	Coil Face Area	sq.ft	42.94	42.94	54.00	54.00	
	Coil / Fin Material		Cu/Al	Cu/Al	Cu/Al	Cu/Al	
	No. of circuit		1	1	1	1	
Compressor	Type		Semi-Hermetic Reciprocating				
	No. of compressor(s)		1	1	1	1	
	Capacity steps		0/50/100	0/66/100	0/66/100	0/66/100	
Condenser fan	Type		Propeller, Direct Drive				
	Q'ty.... Diameter	inch	2...28"	2...30"	2...30"	2...30"	
	Fan motor power input	V/Ph/Hz	220/1/50	380/3/50	380/3/50	380/3/50	
Pipe Connection	Liquid pipe dia.	O'ty...inch	7/8"	7/8"	7/8"	7/8"	
	Suction pipe dia.	O'ty...inch	1-5/8"	1-5/8"	2-1/8"	2-1/8"	
AHU							
Operating Weight		kg	282	304	505	525	
Power Supply		V/Ph/Hz	380/3/50				
Air Flowrate Range		cfm	6,100 - 7,600	7,000 - 8,600	8,600-10,800	10,500 -13,100	
Cooling Coil	Coil Arrangement	row / fpi	3/14	4/14	4/14	4/14	
	Coil Face Area	sq.ft	15.23	17.39	21.72	26.30	
	Coil / Fin Material		Cu/Al	Cu/Al	Cu/Al	Cu/Al	
	TXV Q'ty...Size	ton	2...7.5	2...10	2...12	2...15	
	No. of circuit		2	2	2	2	
Fan	Fan Size	inch	15"x15"	15"x15"	18"x18"	18"x18"	
	Fan Q'ty		2	2	2	2	
	Standard speed	rpm	638	705	641	641	
Motor	Standard motor size	hp	3	5	7.5	7.5	
	Motor speed	rpm	1430	1410	1435	1435	
	Motor range	hp	3-5	3-5	7.5-10	7.5-10	
Accessories	Fan Pulley		280-1B-30	250-1B-30	280-2B-35	280-2B-35	
	Motor Pulley		125-1B-28	125-1B-28	125-2B-38	125-2B-38	
	Belt		B-44	B-41	B-72	B-72	
	Belt Q'ty		1	1	2	2	
Insulation	Type		PE Foam				
	Thermal Conductivity		0.036 w/m.K				
	Thickness		10mm				
Air Filter	Type		Washable Aluminium Filter				
	Q'ty ... Size	inch	3...16"x25"x1"	3...16"x25"x1"	2...16"x20"x2"	2...16"x20"x2"	
	(Width x Height x Thickness)		3...20"x25"x1"	3...20"x25"x1"	6...20"x25"x2"	6...20"x25"x2"	
Pipe Connection	Liquid pipe dia.	O'ty...inch	2 ... 5/8"	2 ... 5/8"	2 ... 5/8"	2 ... 7/8"	
	Suction pipe dia.	O'ty...inch	2... 1-3/8"	2... 1-3/8"	2... 1-3/8"	2 ... 1-3/8"	
	Condensate drain dia.		1"	1"	2"	2"	
	Condensate drain connection type		Female Pipe Thread				

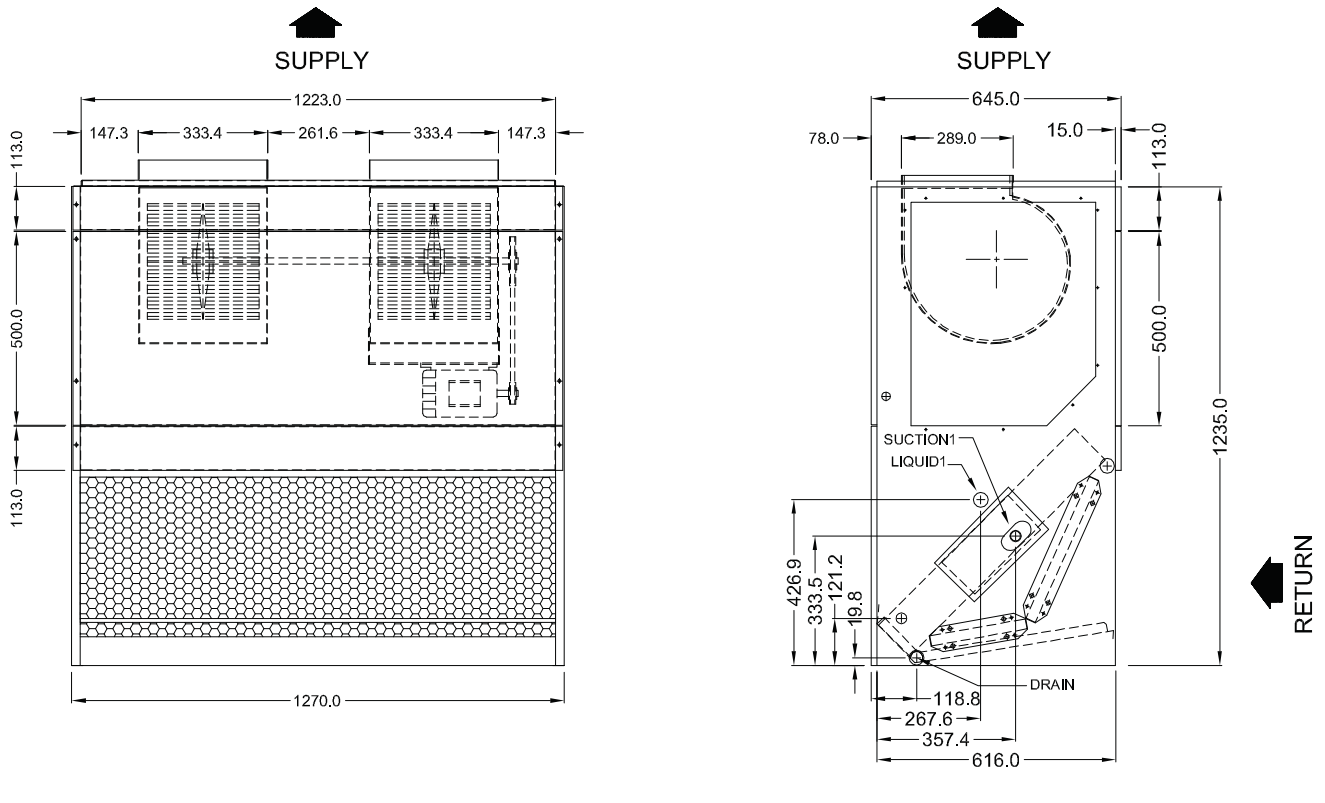
Remark : Cooling Capacity Based Ent-Air Temp 80 Fdb/67 Fwb, Max Air Flowrate.

## Coil connection

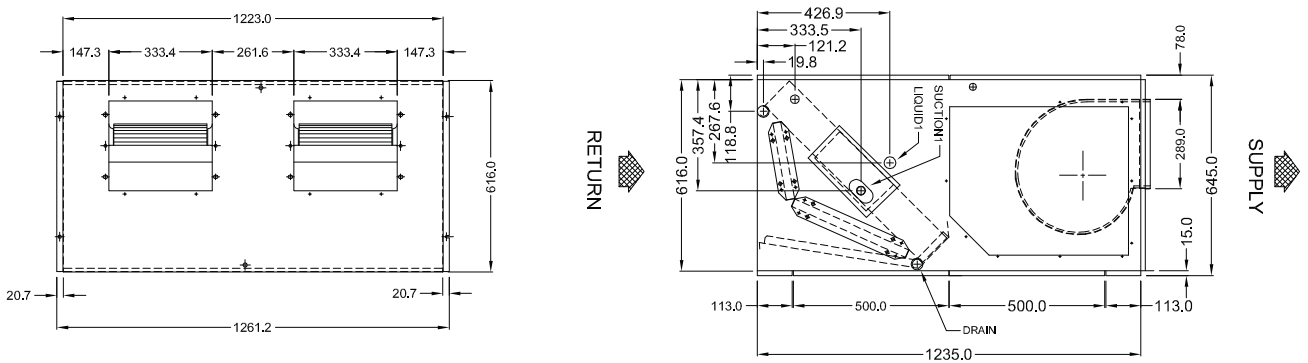


# Unit dimensions

## 40RBX012 Vertical Type

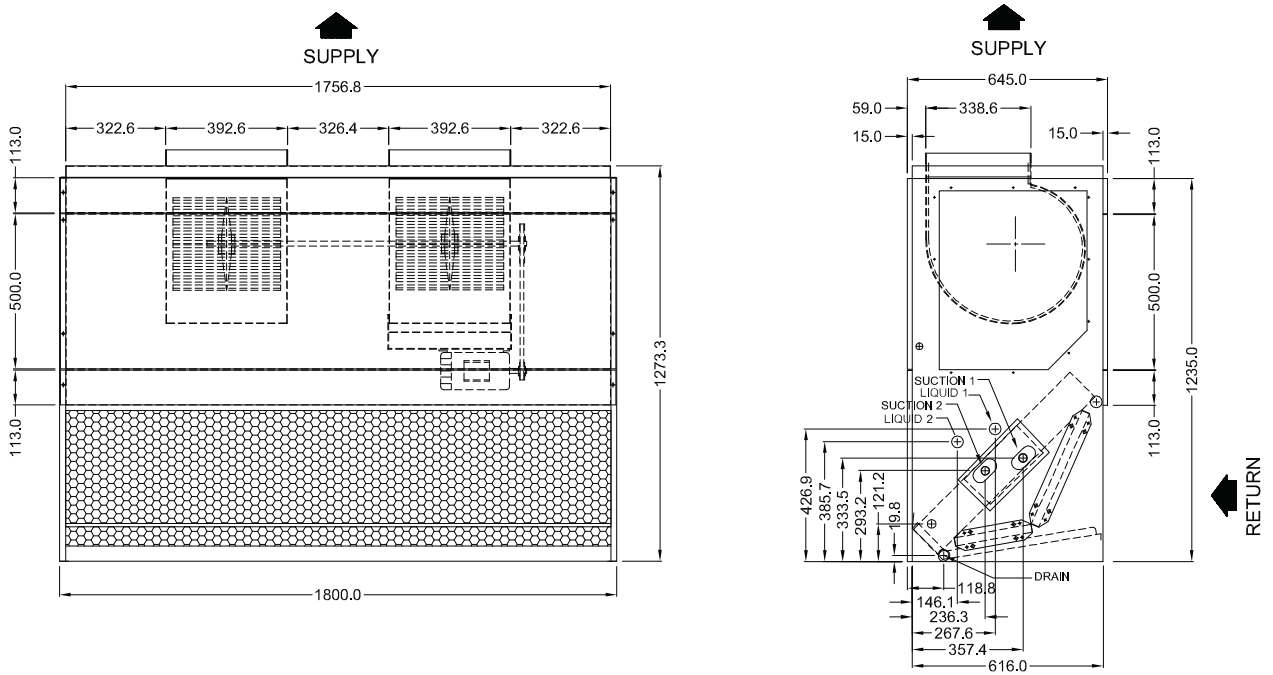


## 40RBX012 Horizontal Type

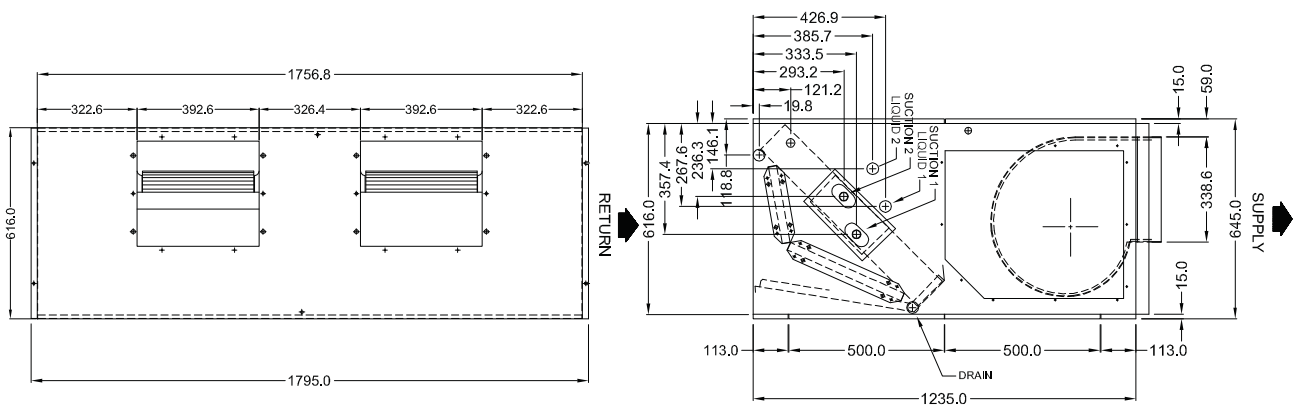


# Unit dimensions

## 40RBX015 Vertical Type

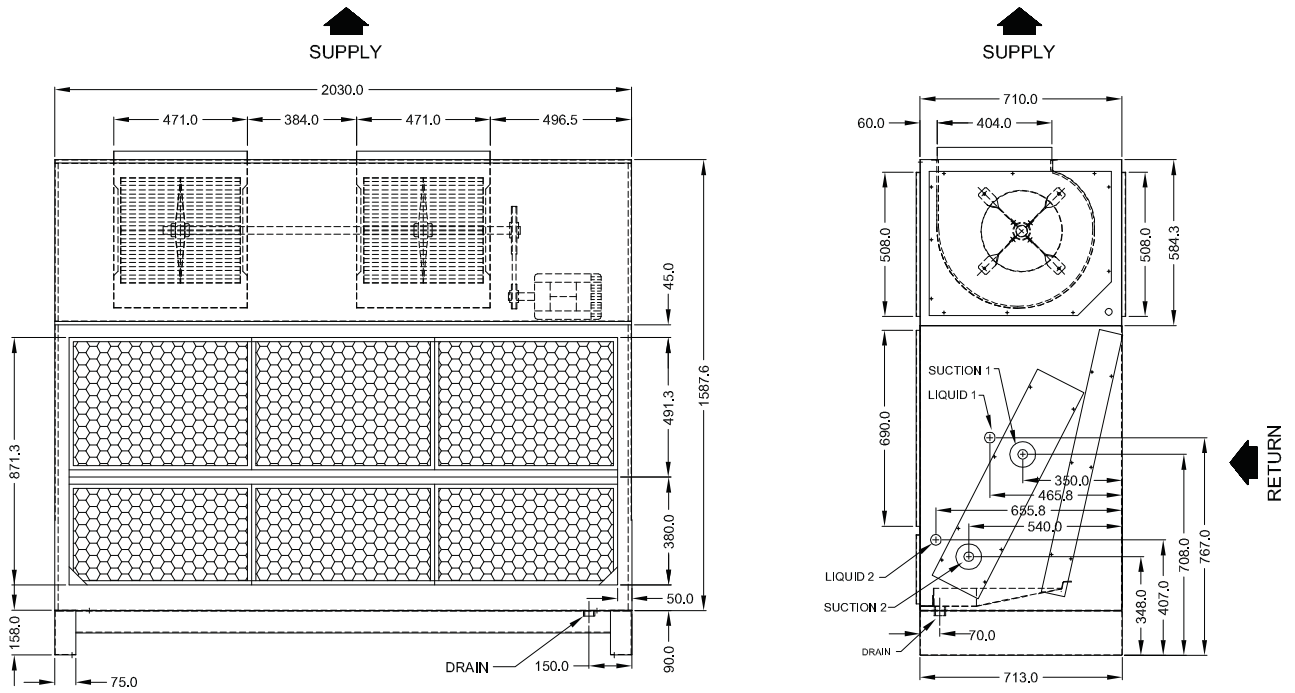


## 40RBX15 Horizontal Type

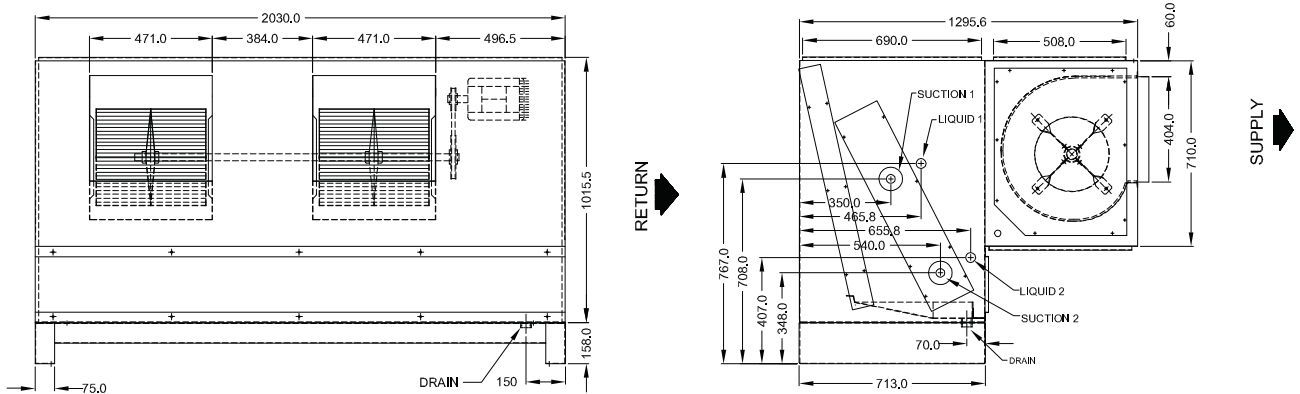


# Unit dimensions

## 40RBX020, 025 Vertical Type

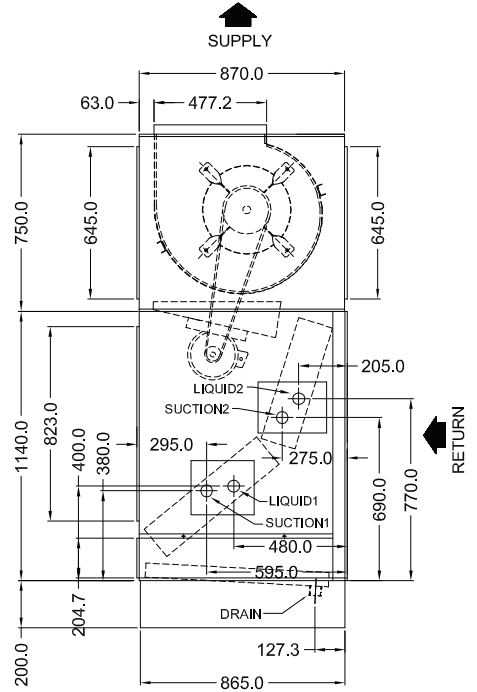
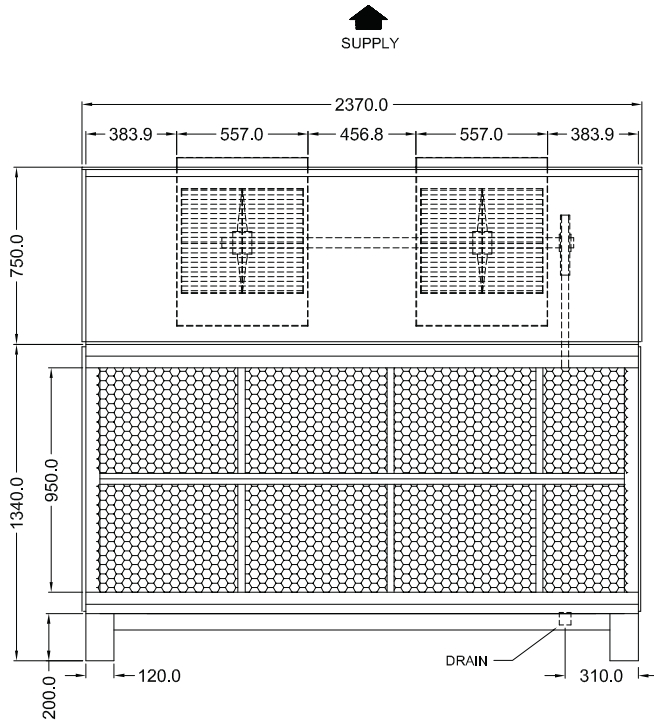


## 40RBX020, 025 Horizontal Type

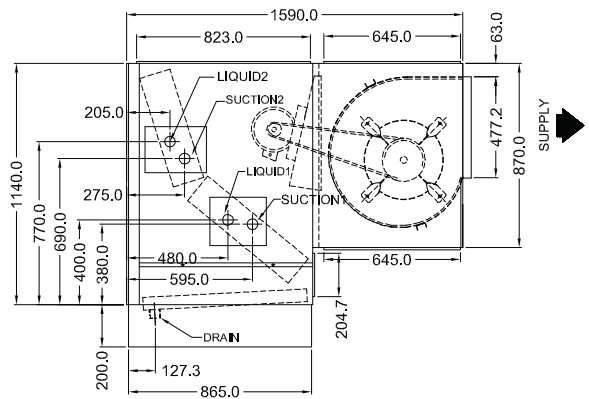
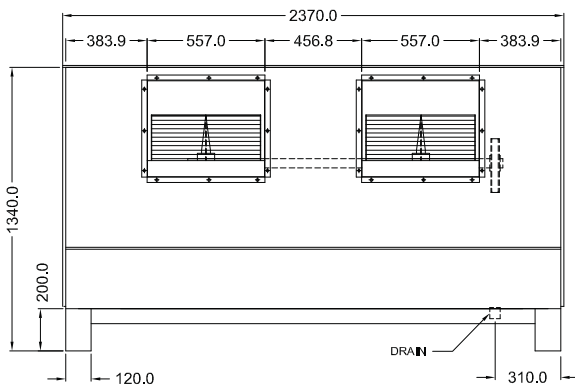


# Unit dimensions

## 40RBX030, 040 Vertical Type



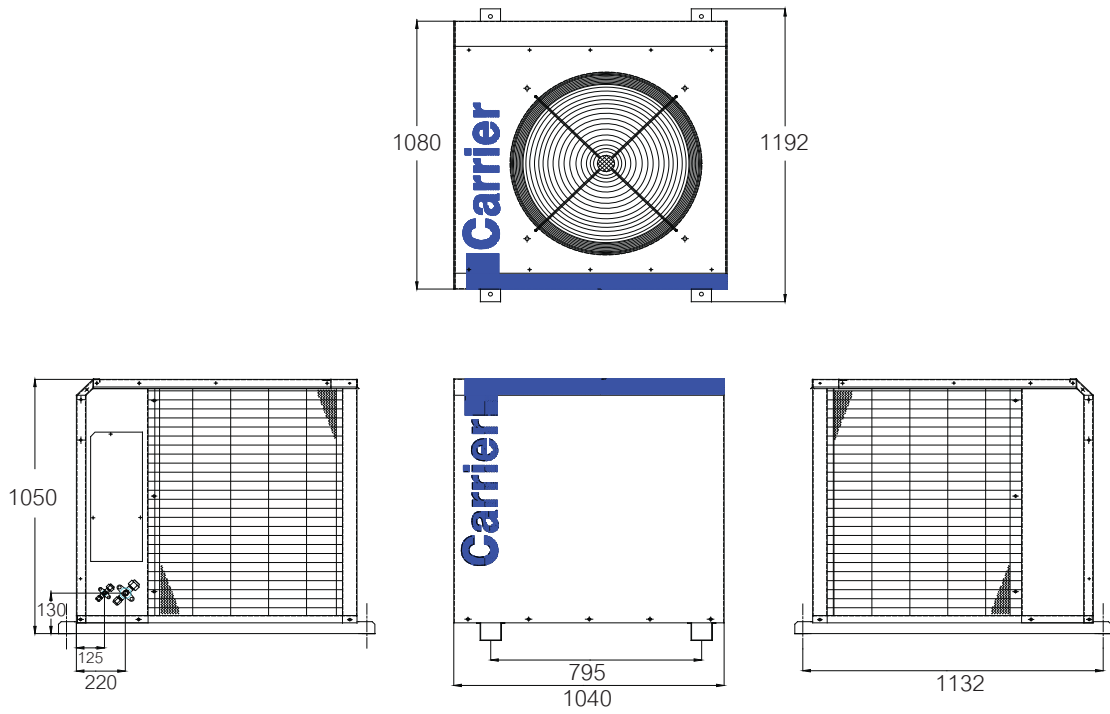
## 40RBX030, 040 Horizontal Type



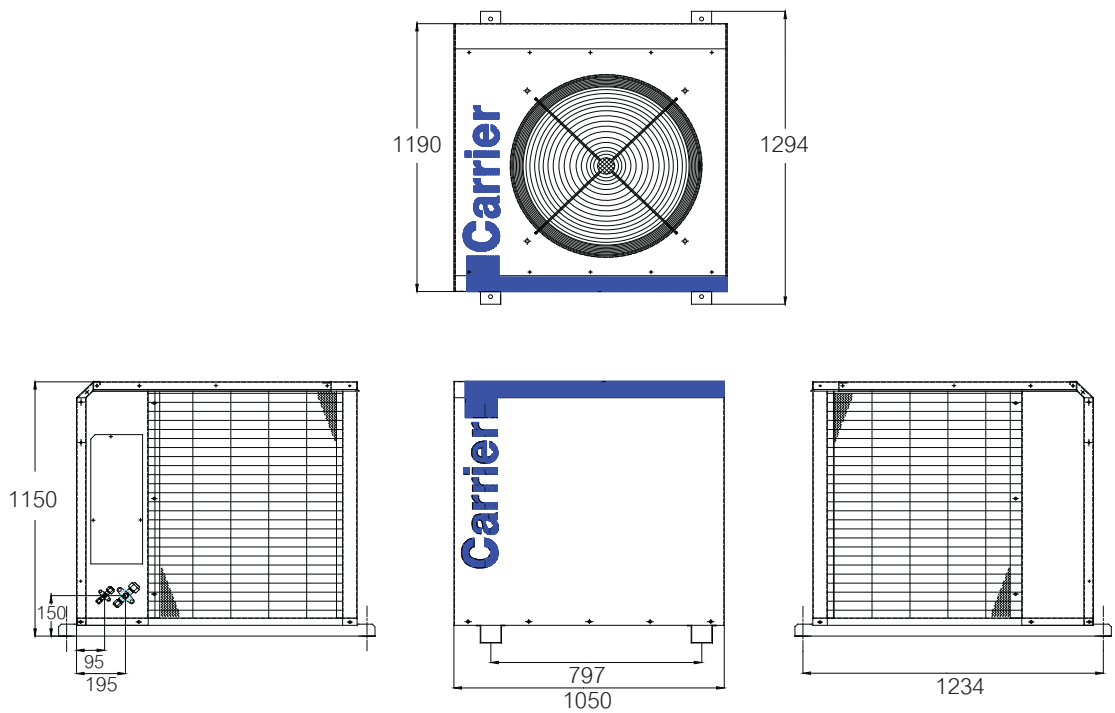


## Unit dimensions

### 38LB012SC

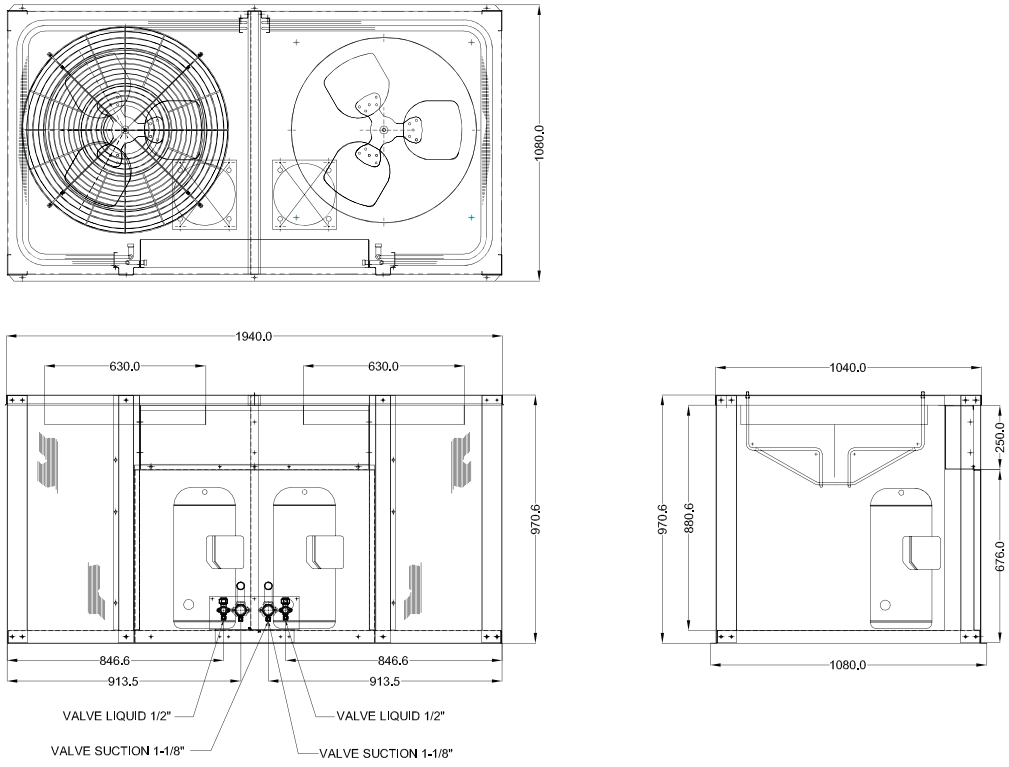


### 38LB015SC

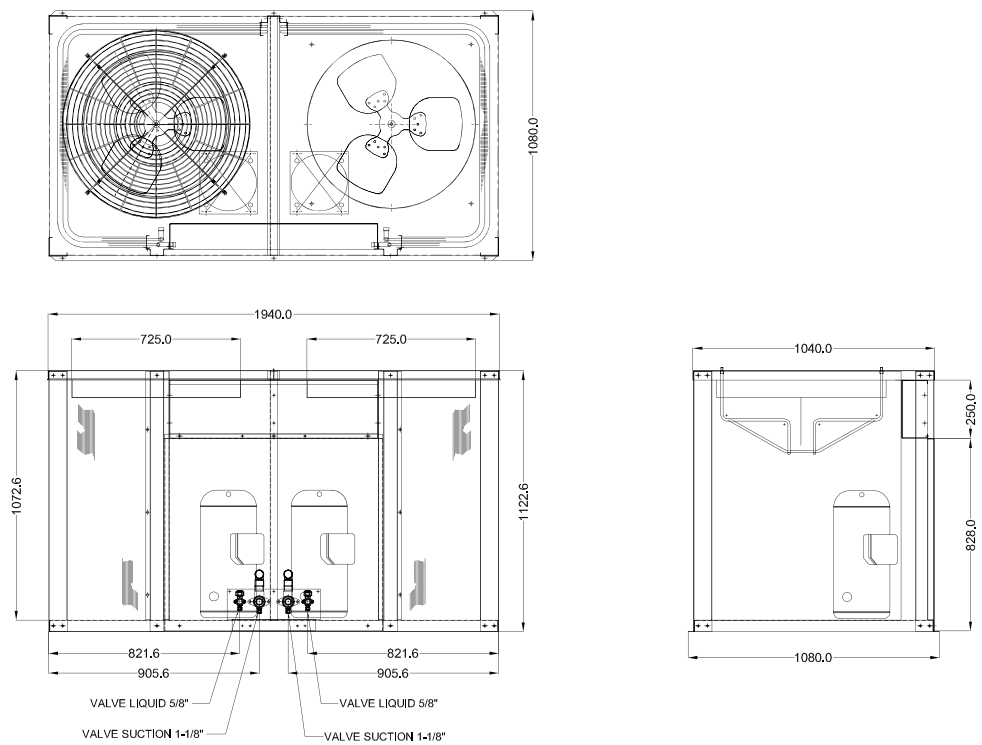


# Unit dimensions

## 38ASC200

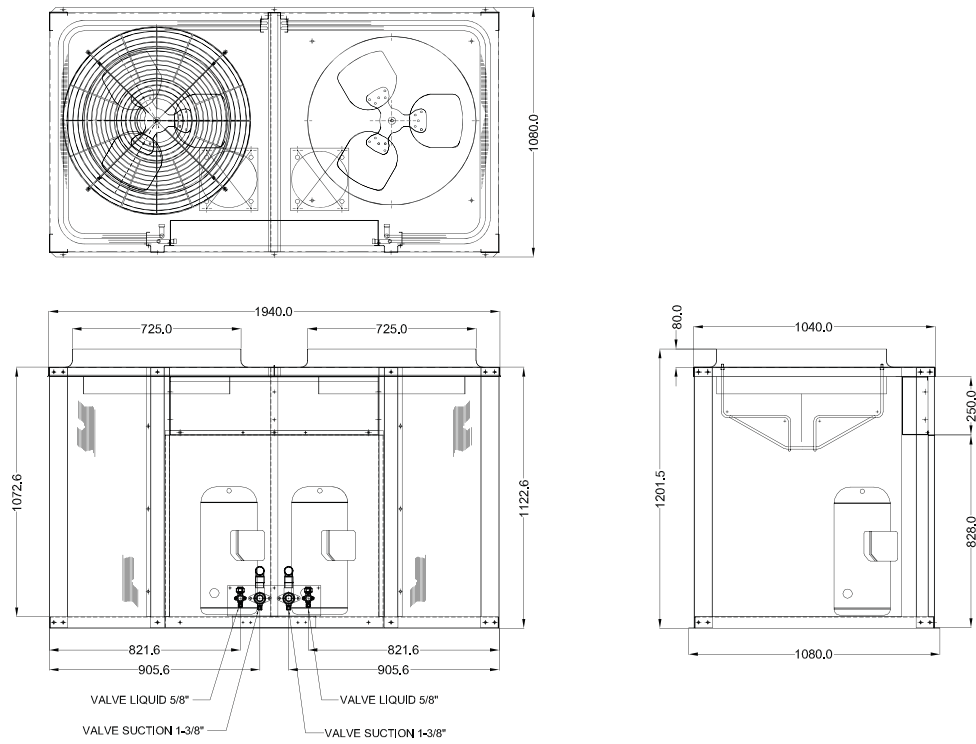


## 38ASC240

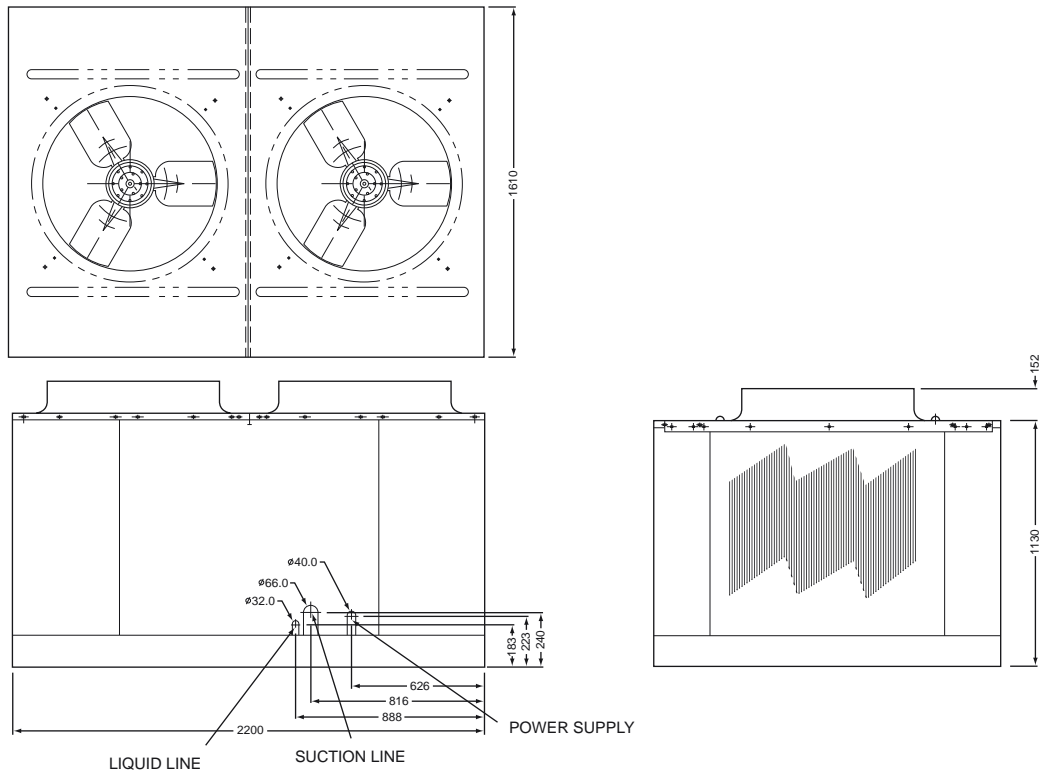


# Unit dimensions

## 38ASC300



## 38AE020-040





**บริษัท แคนเรียร์ (ประเทศไทย) จำกัด**

1858/63-74 อาคารทีซีไอเอฟ ทาวเวอร์  
ชั้น 14,15 ด.บางนา-ตราด กม. 4.5  
บางนา กรุงเทพฯ 10260  
โทร. 0-2762-9222 แฟกซ์: 0-2751-4778

**Carrier (Thailand) Ltd.**

1858/63-74, TCIF Tower,  
14<sup>th</sup>, 15<sup>th</sup> Floor, Bangna-Trad Road, Km. 4.5,  
Bangna, Bangkok 10260 Thailand  
Tel. 0-2762-9222 Fax: 0-2751-4778

Carrier reserves the right to make changes in specifications without prior notice.  
บริษัทฯ ขอสงวนสิทธิ์ที่จะเปลี่ยนแปลงรายละเอียดข้างต้น โดยไม่ต้องแจ้งให้ทราบล่วงหน้า



YOUR CARRIER MAN :