

42CLS-W Series

*Chilled Water Fan Coil Unit
Ceiling Concealed - Duct Type*

Nominal: 400-2,000 CFM



World's No.1 Air Conditioning Expert

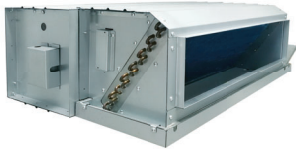
www.carrier.co.th

42CLS-W Series



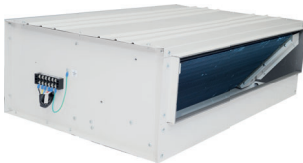
Furred-in ceiling model 400 - 2000 cfm

The low silhouette styling of this unit makes it a popular choice for in-the-ceiling or over-the-closet applications in all types of buildings, particularly in apartments, hotels and motels.



Furred-in ceiling model with plenum 400 - 2000 cfm

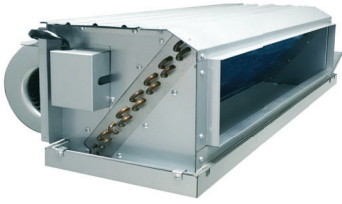
This adaptation of the basic ducted fan-coil unit includes a factory-installed plenum section that helps you cut field fabrication and labor costs. It's quiet too. The plenum section is fully lined with PE-FOAM insulation. Throwaway or cleanable filters are available.



Ceiling model with cabinet 400 - 2000 cfm

This enclosed edition of the basic 42CH unit features a cabinet fabricated from tough, 18-gage galvanized steel, with removable access panels that are lined with PE-FOAM insulation. Cabinet can be factory painted on special order.

42CLS-W Series



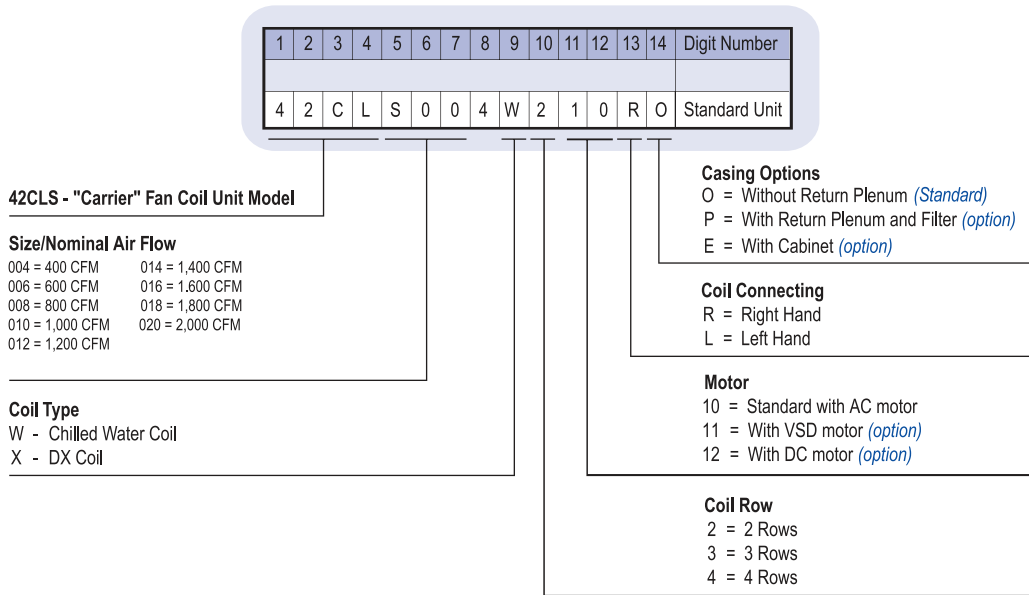
The Compact and Practical 42CLS Fan Coil Units

The Carrier 42CLS horizontal furred-in Fan Coils are quiet, compact and flexible. Nominal air quantity range from 400 cfm to 2000 cfm. These units are engineered for industrial and medium static pressure.

Features

- Ultra-compact design-saves installation space
- High efficiency heat transfer surface
- Super quiet operation
- Low installation and maintenance cost
- Easy wiring / piping connections
- Installed with direct driven forward curved centrifugal fan and 4-speed high efficient motor
- Minimum power requirement for significant money saving to the owners
- Insulated drain pan
- Requires no expensive ductwork
- Ideal for new construction or renovation

Model number nomenclature



Physical data

Description			Fan Coil Unit							
Model			42CLS-W							
			004W2	004W3	006W2	006W3	008W3	008W4	010W3	010W4
Capacity	Nominal Capacity*	Btu/hr.	13,000	16,230	20,120	22,970	28,810	32,790	32,720	39,420
	Nominal Air Flow	CFM.	400		600		800		1000	
Connections	Water Inlet & outlet	inch	5/8							
	Drain	inch	3/4							
Fan Motor	Type		Permanent Split Capacity 4 Speed							
	Power Supply	V/Ph/Hz	220/1/50							
	Current (RLA.)	Amp.	0.51	0.77		0.81		1.21		
	Power input	Watt	112	169		178		226		
	No. of Motor		1							
Blower Wheel	Type		Centrifugal Forward Curve Blade							
	Diameter x Width	Inch x Inch	6 x 7	6 x 7		6 x 8		6 x 8		
	No. of Blower		2							

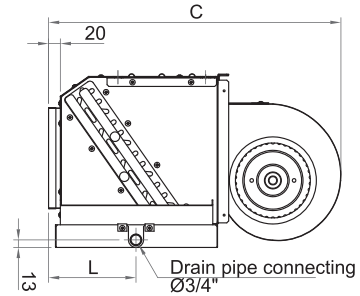
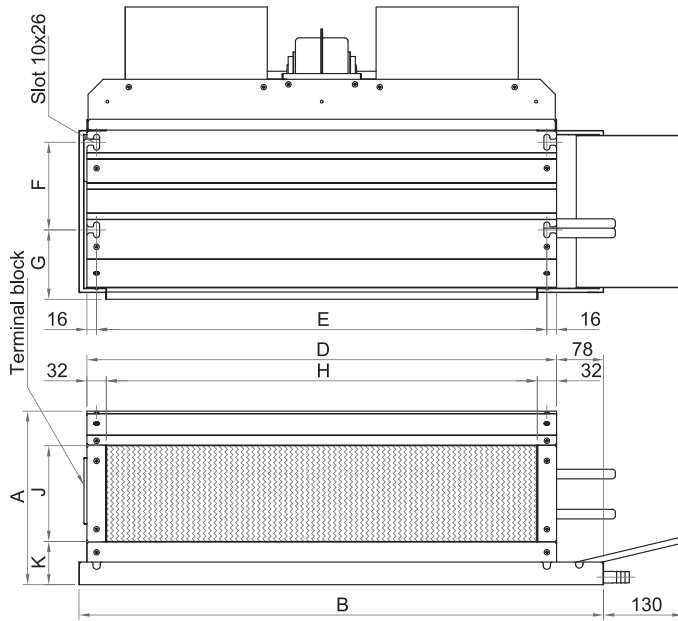
Description			Fan Coil Unit							
Model			42CLS-W							
			012W3	012W4	014W3	014W4	016W3	016W4	020W3	020W4
Capacity	Nominal Capacity*	Btu/hr.	39,560	48,050	45,390	53,430	51,830	58,440	63,990	75,770
	Nominal Air Flow	CFM.	1200		1400		1600		2000	
Connections	Water Inlet & outlet	inch	5/8		3/4					
	Drain	inch	3/4							
Fan Motor	Type		Permanent Split Capacity 4 Speed							
	Power Supply	V/Ph/Hz	220/1/50							
	Current (RLA.)	Amp.	1.61	1.7		2.35		2.33		
	Power input	Watt	353	375		513		489		
	No. of Motor		1							
Blower Wheel	Type		Centrifugal Forward Curve Blade							
	Diameter x Width	Inch x Inch	6 x 9	7 X 8		8 x 9		8 x 9		
	No. of Blower		2							

Note: - All data for standard product.

* Norminal Capacity based on : EAT 80 Fdb/67 °Fwb, CHWT 44/54 °F

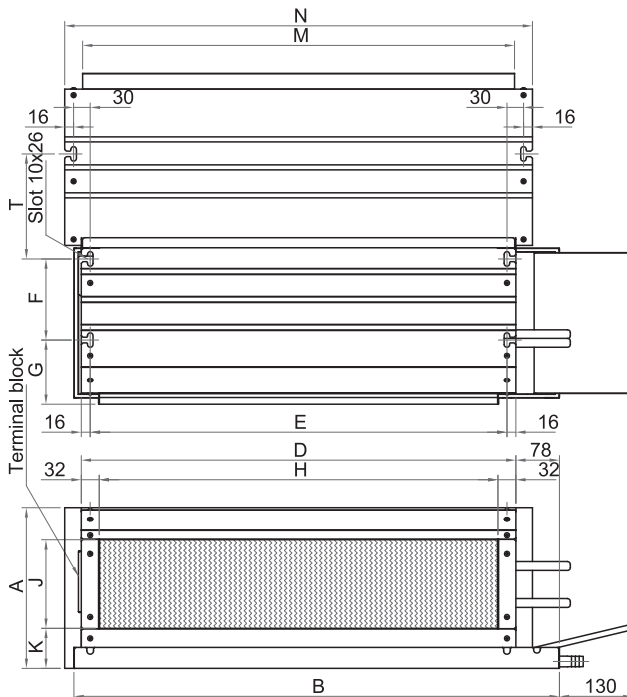
Unit dimensions

Model : 42CLS004W-020W WITHOUT PLENUM (STANDARD)



Model	Dimensions										
	A	B	C	D	E	F	G	H	J	K	L
42CLS00421__O	237	898	503	776	745	225	51	712	135	76	108
42CLS00431__O											
42CLS00621__O	287	867	483	776	745	145	115	712	158	72	143
42CLS00631__O											
42CLS00831__O	287	867	483	776	745	145	115	712	158	72	143
42CLS00841__O											
42CLS01031__O	287	918	500	827	795	145	115	762	158	72	143
42CLS01041__O	287	995	500	904	872	145	115	839	158	72	143
42CLS01231__O	287	1070	500	980	948	145	115	915	158	72	143
42CLS01241__O	287	1147	500	1056	1024	145	115	991	158	72	143
42CLS01431__O	333	1070	546	980	948	145	115	915	206	72	143
42CLS01441__O	333	1147	546	1056	1024	145	115	991	206	72	143
42CLS01631__O											
42CLS01641__O	333	1147	546	1056	1024	145	115	991	206	72	143
42CLS02031__O											
42CLS02041__O	333	1274	546	1183	1151	145	115	1118	206	72	143

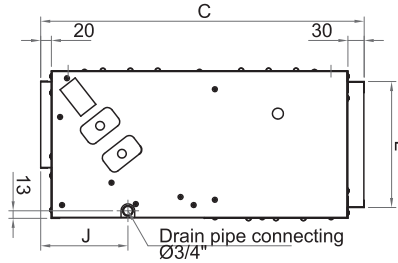
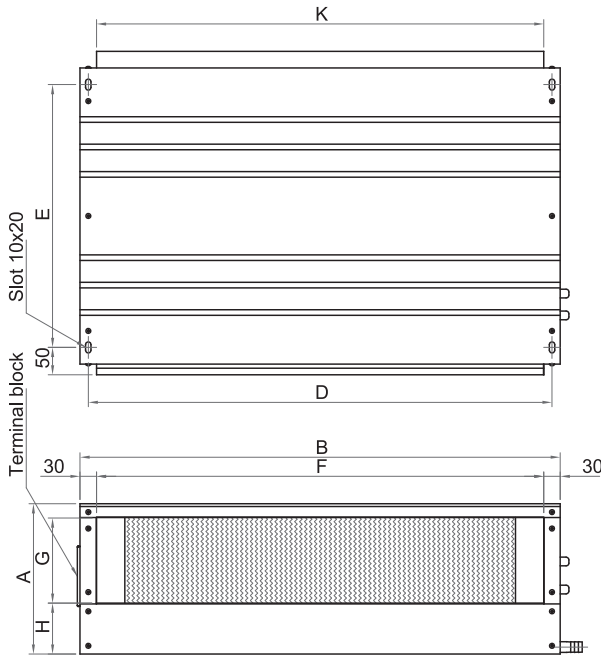
Model : 42CLS004W-020W WITH PLENUM (OPTION)



Model	Dimensions															
	A	B	C	D	E	F	G	H	J	K	L	M	N	P	R	T
42CLS00421__P	237	898	573	776	745	225	51	712	135	76	108	772	836	192	242	177
42CLS00431__P																
42CLS00621__P	287	867	591	776	745	145	115	712	158	72	143	772	836	240	290	188
42CLS00631__P																
42CLS00831__P	287	867	483	776	745	145	115	712	158	72	143	772	836	240	290	188
42CLS00841__P																
42CLS01031__P	287	918	591	827	795	145	115	762	158	72	143	823	887	240	290	188
42CLS01041__P	287	995	591	904	872	145	115	839	158	72	143	899	963	240	290	188
42CLS01231__P	287	1070	591	980	948	145	115	915	158	72	143	975	1039	240	290	188
42CLS01241__P	287	1147	591	1056	1024	145	115	991	158	72	143	1051	1115	240	290	188
42CLS01431__P	333	1070	640	980	948	145	115	915	206	72	143	975	1039	287	338	212
42CLS01441__P	333	1147	640	1056	1024	145	115	991	206	72	143	1051	1115	287	338	212
42CLS01631__P																
42CLS01641__P	333	1147	640	1056	1024	145	115	991	206	72	143	1051	1115	287	338	212
42CLS02031__P																
42CLS02041__P	333	1274	640	1183	1151	145	115	1118	206	72	143	1178	1242	287	338	212

Unit dimensions

Model : 42CLS004W-020W WITH CABINET (OPTION)



Model	Dimensions										
	A	B	C	D	E	F	G	H	J	K	L
42CLS00421__E	232	875	555	845	460	815	140	68	115	815	185
42CLS00431__E											
42CLS00621__E	280	875	589	845	479	815	160	93	159	815	230
42CLS00631__E											
42CLS00831__E	280	875	589	845	479	160	815	93	159	815	230
42CLS00841__E											
42CLS01031__E	280	926	589	896	479	866	160	93	159	866	230
42CLS01041__E	280	1002	589	972	479	942	160	93	159	942	230
42CLS01231__E	280	1078	589	1048	479	1018	160	93	159	1018	230
42CLS01241__E	280	1154	589	1124	479	1094	160	93	159	1094	230
42CLS01431__E	323	1078	639	1048	529	1018	205	88	159	1018	275
42CLS01441__E	323	1154	639	1124	1094	529	205	88	159	1094	275
42CLS01631__E	323	1154	639	1124	529	1094	205	88	159	1094	275
42CLS01641__E											
42CLS02031__E	323	1281	639	1251	529	1221	205	88	159	1221	275
42CLS02041__E											

Weight

Model	Weight (kg)			
	Standard Fan Coil Unit (without plenum)	Fan Coil Unit with plenum	Fan Coil Unit with cabinet	
42CLS	004W2	18	22	24
	004W3	19	23	25
	006W2	21	25	27
	006W3	23	27	29
	008W3	24	28	30
	008W4	25	30	32
	010W3	27	31	34
	010W4	29	34	37
	012W3	30	36	39
	012W4	33	39	42
	014W3	34	40	44
	014W4	37	43	47
	016W3	37	44	48
	016W4	40	47	51
	020W3	41	49	54
	020W4	46	54	58

Performance data 42CLS-W Model

MODEL	Entering Chilled Water Temp. °F	Entering Air Temp (°Fdb /°Fwb)															
		76 / 63				78 / 65				80 / 67				82 / 69			
		Total Capacity btu/h	Sensible Capacity btu/h	Chilled Water Flowrate gpm	Water Pressure Drop ft.wg.	Total Capacity btu/h	Sensible Capacity btu/h	Chilled Water Flowrate gpm	Water Pressure Drop ft.wg.	Total Capacity btu/h	Sensible Capacity btu/h	Chilled Water Flowrate gpm	Water Pressure Drop ft.wg.	Total Capacity btu/h	Sensible Capacity btu/h	Chilled Water Flowrate gpm	Water Pressure Drop ft.wg.
42CLS004W2	40	12,200	9,700	2.44	7.6	14,100	10,300	2.82	9.6	16,200	11,000	3.24	12.3	18,400	11,600	3.67	15.3
	45	9,400	8,300	1.87	4.7	10,700	8,800	2.14	6.0	12,300	9,300	2.46	7.7	14,500	10,000	2.89	10.0
	50	6,900	6,900	1.38	2.8	7,800	7,400	1.56	3.5	9,200	8,000	1.84	4.6	10,700	8,500	2.13	5.9
42CLS004W3	40	15,500	11,400	3.08	8.4	17,700	12,200	3.53	10.7	20,200	13,000	4.02	13.3	22,700	13,800	4.52	16.5
	45	11,700	9,700	2.33	5.3	13,600	10,400	2.72	6.8	15,800	11,000	3.14	8.7	18,300	11,800	3.64	11.3
	50	8,400	8,100	1.68	3.0	9,800	8,700	1.96	3.8	11,600	9,300	2.32	5.2	13,700	10,000	2.74	6.9
42CLS006W2	40	19,000	14,800	3.78	11.1	21,800	15,800	4.35	14.3	25,000	16,800	4.99	18.0	28,400	17,800	5.65	22.5
	45	14,400	12,700	2.88	6.9	16,600	13,500	3.31	8.8	19,200	14,300	3.83	11.4	22,400	15,300	4.47	14.9
	50	10,600	10,500	2.11	4.1	12,100	11,400	2.42	5.2	14,200	12,200	2.84	6.8	16,500	13,000	3.30	8.8
42CLS006W3	40	21,900	16,500	4.36	7.0	25,000	17,500	4.98	8.8	28,500	18,600	5.67	11.1	32,100	19,700	6.40	13.8
	45	16,500	14,000	3.29	4.3	19,200	15,000	3.84	5.6	22,200	15,900	4.43	7.3	25,600	17,000	5.11	9.3
	50	12,000	11,700	2.39	2.4	13,900	12,600	2.78	3.2	16,300	13,500	3.26	4.3	19,200	14,400	3.84	5.6
42CLS008W3	40	26,900	21,100	5.36	6.3	30,900	22,400	6.15	8.0	35,300	23,800	7.03	10.1	40,100	25,200	7.99	12.7
	45	20,100	17,900	4.01	3.8	23,300	19,100	4.66	5.0	27,200	20,300	5.43	6.5	31,600	21,700	6.30	8.4
	50	14,800	14,700	2.95	2.1	16,900	16,000	3.38	2.8	19,800	17,200	3.96	3.7	23,300	18,400	4.65	5.0
42CLS008W4	40	30,600	22,800	6.09	7.6	34,900	24,200	6.94	9.6	39,600	25,700	7.88	12.0	44,600	27,200	8.88	14.7
	45	23,100	19,400	4.61	4.7	26,900	20,600	5.36	6.1	31,100	22,000	6.20	7.9	35,800	23,400	7.14	10.0
	50	16,700	16,200	3.34	2.6	19,500	17,400	3.90	3.5	22,900	18,600	4.58	4.6	26,900	19,800	5.38	6.1
42CLS010W3	40	30,800	24,400	6.13	6.0	35,200	25,800	7.01	7.6	40,300	27,400	8.03	9.6	45,800	29,100	9.13	12.1
	45	23,100	20,700	4.61	3.7	26,700	22,100	5.34	4.7	31,100	23,500	6.21	6.1	36,000	25,000	7.17	7.9
	50	17,000	17,000	3.40	2.1	19,500	18,500	3.89	2.7	22,800	20,000	4.55	3.6	26,700	21,300	5.32	4.7
42CLS010W4	40	37,200	27,900	7.40	6.7	42,300	29,600	8.42	8.3	48,100	31,500	9.58	10.5	54,300	33,300	10.81	12.9
	45	28,000	23,700	5.59	4.1	32,500	25,300	6.48	5.3	37,700	27,000	7.53	6.9	43,300	28,600	8.64	8.7
	50	20,300	19,900	4.06	2.2	23,600	21,400	4.71	3.0	27,800	22,800	5.55	4.0	32,500	24,300	6.50	5.3
42CLS012W3	40	37,200	29,400	7.41	7.1	42,800	31,200	8.53	9.1	48,800	33,100	9.72	11.5	55,500	35,100	11.05	14.3
	45	28,000	25,000	5.59	4.4	32,500	26,700	6.48	5.6	37,600	28,400	7.51	7.3	43,700	30,200	8.71	9.5
	50	20,600	20,600	4.12	2.5	23,700	22,400	4.74	3.3	27,600	24,000	5.52	4.3	32,300	25,700	6.46	5.6
42CLS012W4	40	44,800	33,600	8.93	4.3	51,000	35,700	10.17	5.4	58,400	38,000	11.62	6.9	65,900	40,300	13.13	8.5
	45	33,400	28,400	6.66	2.6	39,200	30,400	7.81	3.4	45,600	32,500	9.10	4.5	52,500	34,600	10.48	5.7
	50	24,000	23,600	4.80	1.3	27,900	25,400	5.57	1.8	33,200	27,300	6.63	2.6	39,400	29,300	7.87	3.5
42CLS014W3	40	42,800	34,000	8.52	6.0	49,100	36,000	9.78	7.7	56,200	38,300	11.19	9.7	63,800	40,500	12.71	12.2
	45	32,100	28,900	6.41	3.7	37,300	30,800	7.45	4.8	43,200	32,800	8.61	6.2	50,200	34,900	10.02	8.0
	50	23,700	23,700	4.74	2.1	27,300	25,900	5.45	2.8	31,600	27,800	6.31	3.6	37,200	29,700	7.43	4.8
42CLS014W4	40	49,900	38,000	9.94	5.2	56,800	40,200	11.31	6.6	65,000	42,800	12.95	8.3	73,600	45,400	14.66	10.3
	45	37,400	32,200	7.46	3.2	43,500	34,300	8.68	4.1	50,700	36,700	10.11	5.4	58,300	39,000	11.64	6.9
	50	27,000	26,800	5.39	1.7	31,200	28,800	6.23	2.3	37,100	31,000	7.40	3.1	43,600	33,100	8.72	4.2
42CLS016W3	40	48,700	38,600	9.69	8.1	56,000	41,000	11.15	10.4	64,000	43,500	12.74	13.1	72,600	46,100	14.45	16.4
	45	36,700	32,900	7.32	5.0	42,600	35,100	8.50	6.5	49,100	37,200	9.80	8.3	57,200	39,700	11.42	10.8
	50	27,200	27,200	5.44	2.9	31,200	29,500	6.22	3.8	36,100	31,600	7.20	4.9	42,400	33,800	8.47	6.4
42CLS016W4	40	54,700	42,100	10.89	6.1	62,300	44,600	12.41	7.7	71,400	47,500	14.22	9.8	80,900	50,300	16.11	12.1
	45	41,100	35,800	8.20	3.7	47,600	38,100	9.49	4.8	55,400	40,700	11.06	6.3	63,900	43,200	12.75	8.1
	50	29,700	29,700	5.94	2.0	34,500	32,200	6.90	2.8	40,600	34,400	8.10	3.7	47,600	36,700	9.50	4.8
42CLS020W3	40	60,100	47,700	11.97	10.5	68,800	50,500	13.71	13.4	79,000	53,600	15.73	17.0	89,500	56,800	17.83	21.2
	45	45,200	40,700	9.02	6.4	52,500	43,300	10.48	8.3	60,700	46,100	12.11	10.8	70,400	48,900	14.05	14.0
	50	33,800	33,800	6.74	3.9	38,500	36,500	7.69	4.9	44,500	39,100	8.89	6.3	52,300	41,700	10.45	8.3
42CLS020W4	40	70,800	53,900	14.11	8.5	80,800	57,100	16.08	10.7	92,300	60,800	18.39	13.5	104,300	64,400	20.77	16.8
	45	53,300	45,800	10.64	5.2	61,900	48,800	12.34	6.7	71,900	52,000	14.34	8.8	82,900	55,400	16.54	11.2
	50	38,800	38,200	7.76	3.0	44,800	41,100	8.95	3.8	52,700	44,000	10.52	5.1	62,000	47,000	12.39	6.8

Remark : Shown cooling capacity based on max air flow rate, Chilled water temp rise 10°F.



บริษัท แครีเยอร์ (ประเทศไทย) จำกัด
1858/63-74 ชั้น 14, 15
ถ.เทพรัตน กม. 4.5 แขวงบางนาใต้
เขตบางนา กรุงเทพฯ 10260
โทร. 0-2090-9999 แฟกซ์: 0-2751-4778

Carrier (Thailand) Ltd.
1858/63-74 , 14th, 15th Floor,
Debaratna Road, Km.4.5, Bangna Tai,
Bangna Bangkok 10260 Thailand
Tel. 0-2090-9999 Fax: 0-2751-4778

บริษัทฯ ขอสงวนสิทธิ์ที่จะเปลี่ยนแปลงรายละเอียดข้างต้น โดยไม่ต้องแจ้งให้ทราบล่วงหน้า
Carrier reserves the right to make changes in specifications without prior notice.



YOUR CARRIER MAN :