

Professional Intellingent Hotel Solution

17 Years In Hospitality Industry

ISO 9001:2015, CE, FCC

Passed American Military ANSI/BHMA A156 test,
last more than 800,000 circles



*360 °All-directional guard lock



Electronic Hotel Lock

1. Standalone electronic door lock with RFID technology.
2. Compatible with Orbita Energy Saver.

Most Outstanding Split RFID Lock

- ✓ Sliding reader
- ✓ Sealed Electronics.
- ✓ Hidden cylinder



Front View

Inserting Mechanical Keys

304 Stainless Steel, 2.0mm

304 Stainless Steel Panels and Handles.
Lock Surface Color Enjoys 10 Years Warranty.



Handset OBT-PP01

Wireless Portable Programmer, Helpful for Hotel Management

- Program locks
- Update clock
- Read & Download openings records
- Open locks as master card



Orbita S3072 Hotel Lock Features



Handset OBT-PP01



Passage Mode



Emergency mechanical key



CE Certified



FCC Certified



Lost guest card



One-Card



ECO-MAX



Improper Lock Alarm

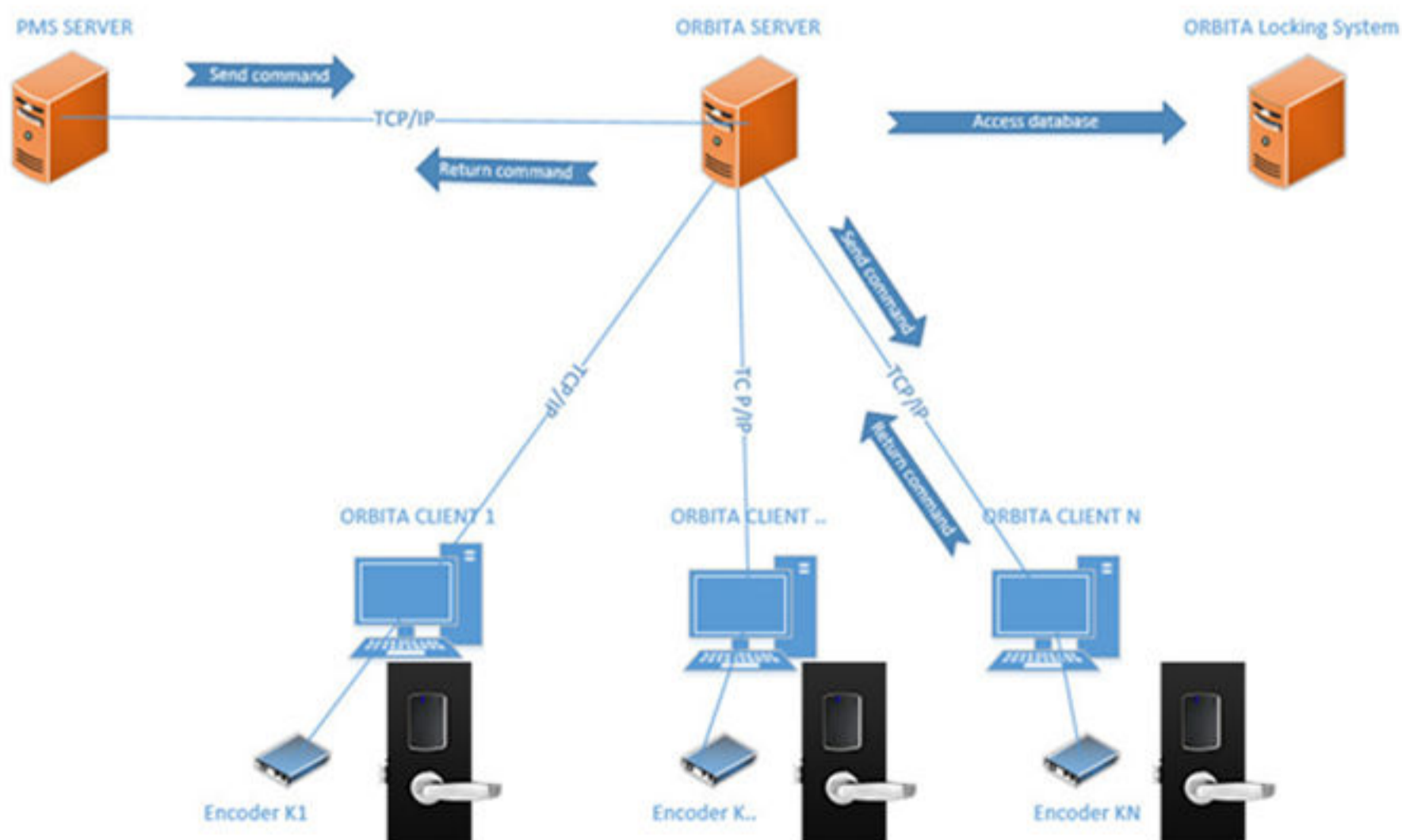


Low voltage alarm

Fidelio/OPERA Certificated

Orbita Locking System is Fidelio/OPERA registered, interfacing with OPERA and most of PMS.

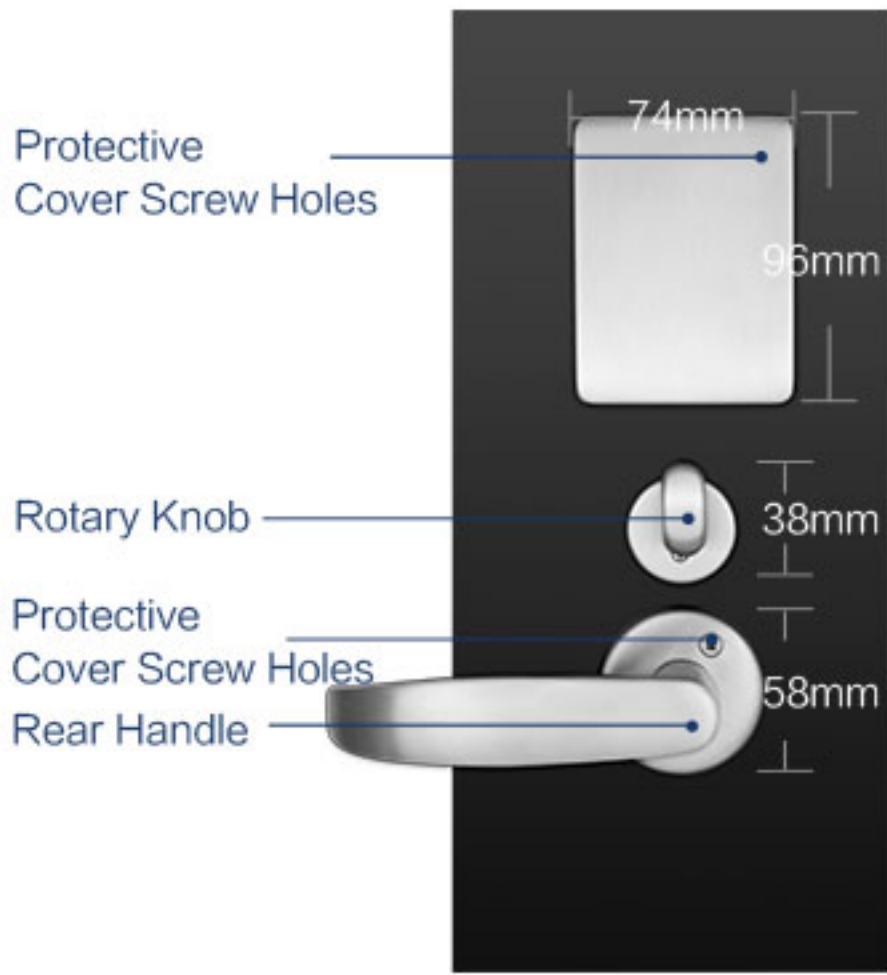
ORBITA PMS Network topology



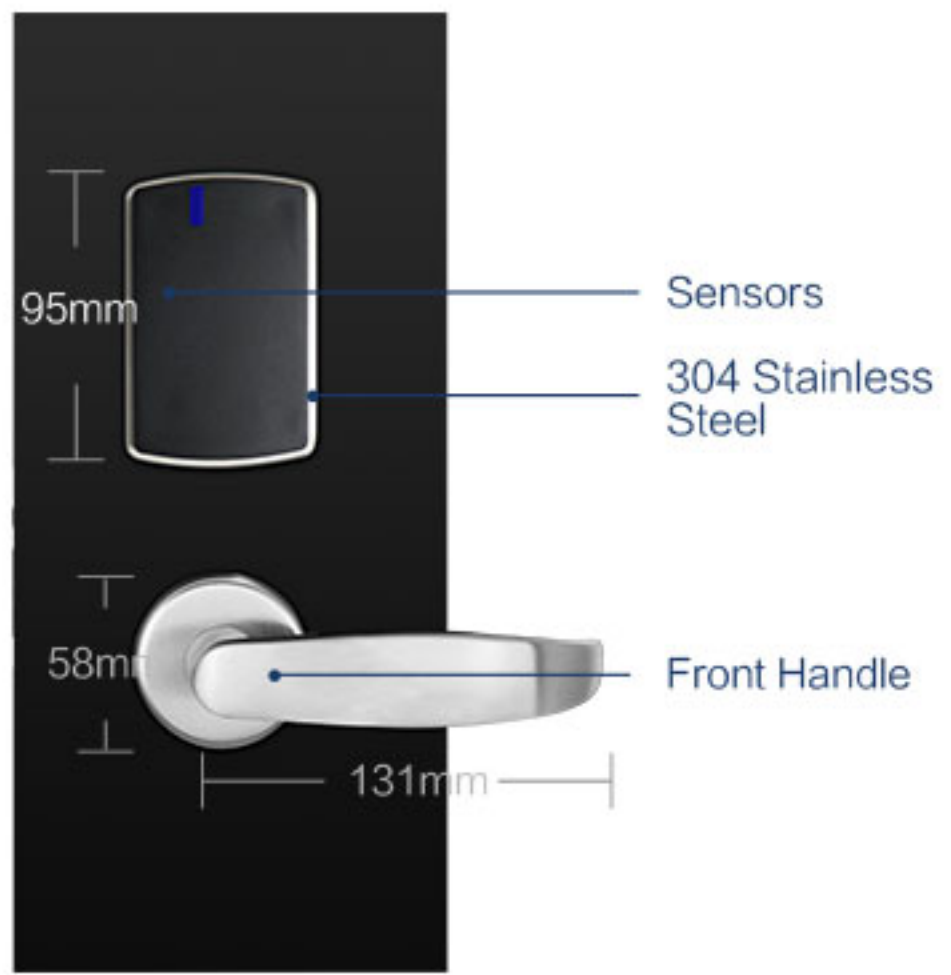
Orbita Hotel Locking System



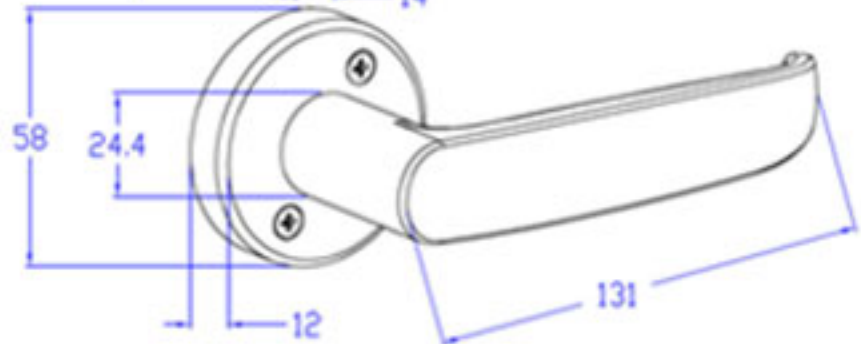
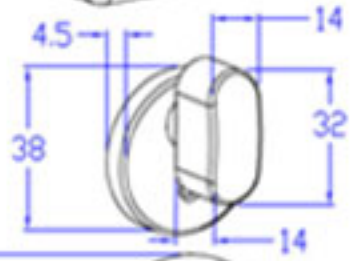
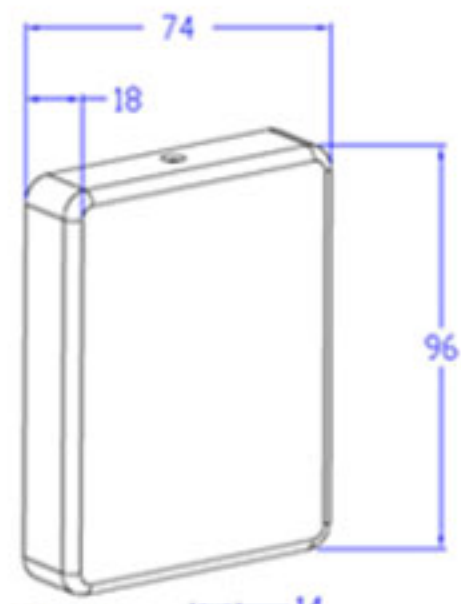
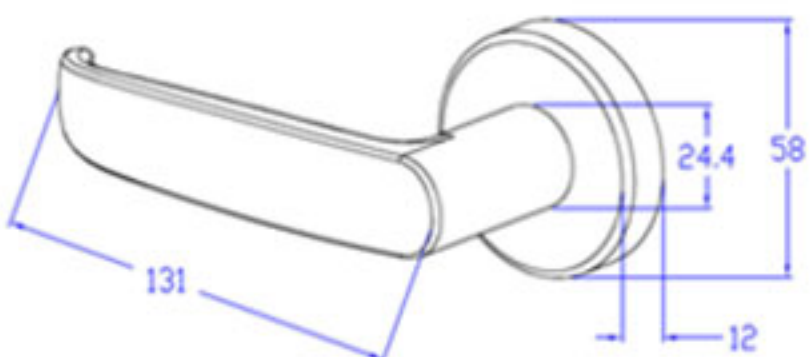
Detailed Specifications



Rear Panel



Front Panel



Lock Mortise

Unit:mm

