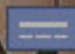



Features:

 LCD showing

 Fireproof

BHMA Unlock 800,000 times





Electronic Hotel Lock

1. Standalone electronic door lock with RFID technology.
2. Compatible with Orbita Energy Saver.

WaterProof

Most Outstanding Waterproof RFID Lock

Good Performance Under Hyperthermia and Humid Environment.
Sealed Electronics.

Most Popular Using in Southeast Asia.



Superior Materials

304 Stainless Steel, 2.0mm

304 Stainless Steel Panels and Handles.
Lock Surface Color Enjoys 10 Years Warranty.



800,000 Circle Test

Passed American Military ANSI/BHMA A156 UL test,
more than 800,000 circles.





Handset OBT-PP01



Lost guest card



Emergency mechanical key



CE Certified



FCC Certified



Low voltage alarm



One-Card



ECO-MAX



Improper Lock Alarm

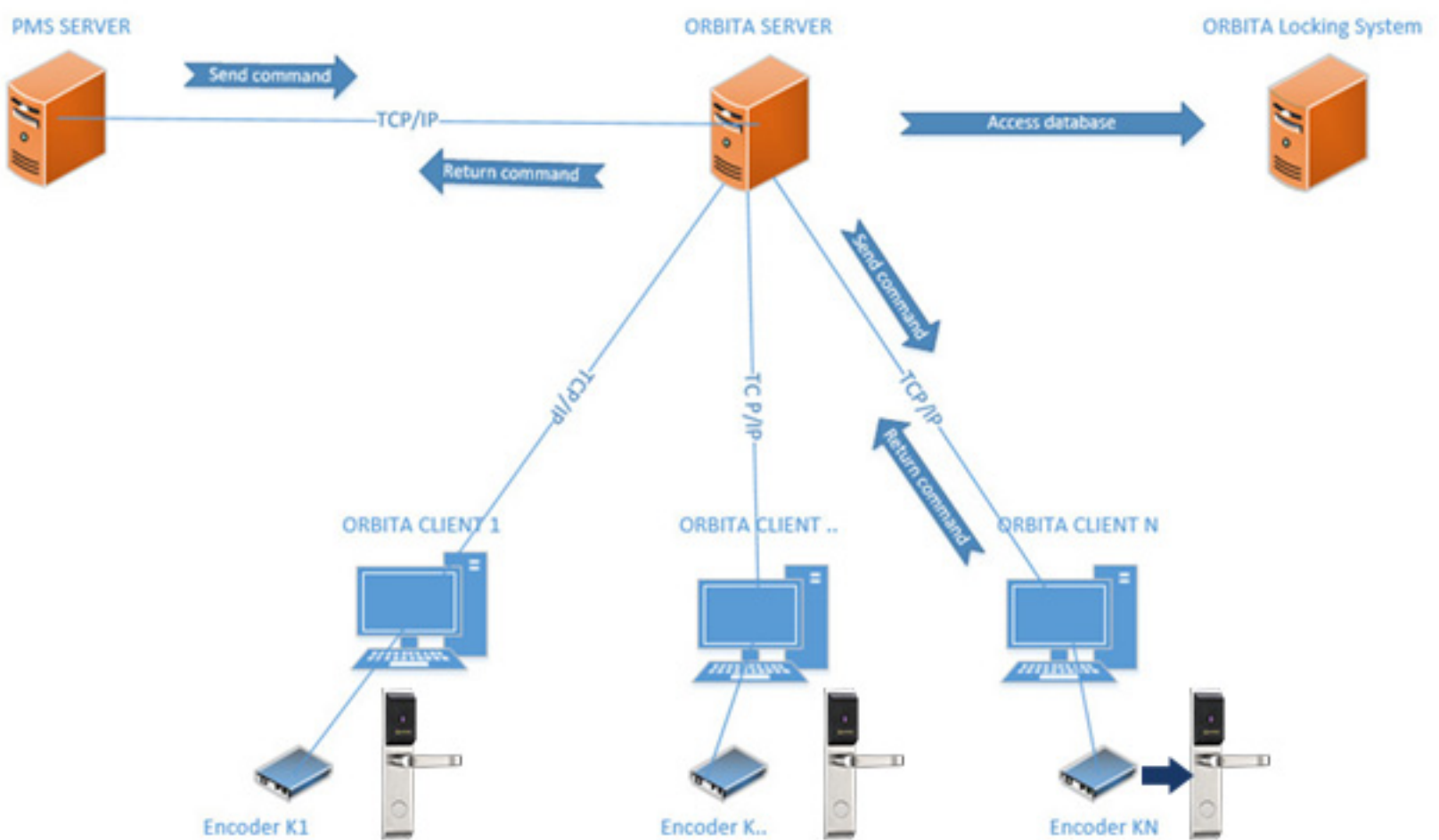


Passage Mode

Fidelio/OPERA Certificated

Orbita Locking System is Fidelio/OPERA registered, interfacing with OPERA and most of PMS.

ORBITA PMS Network topology



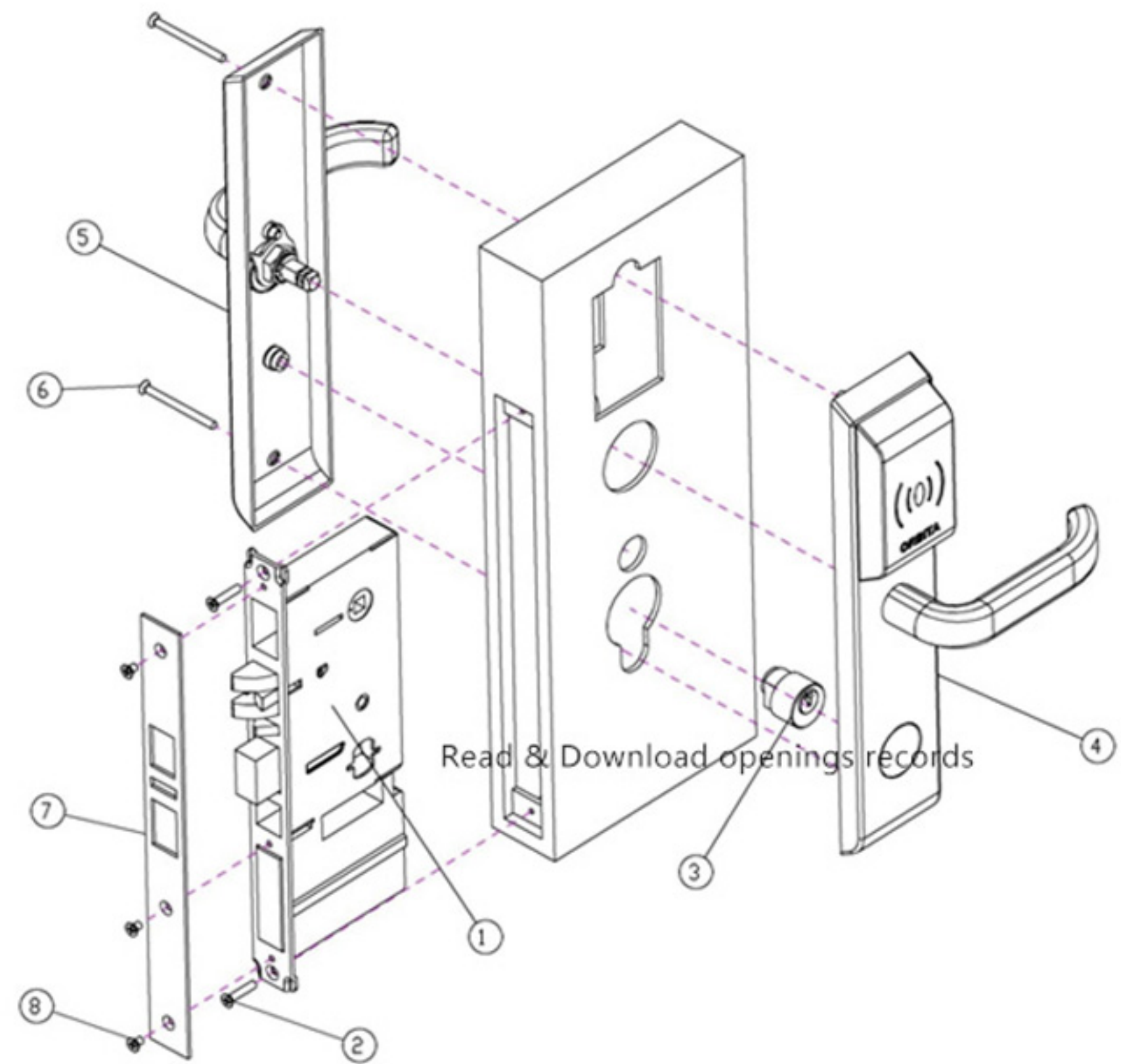
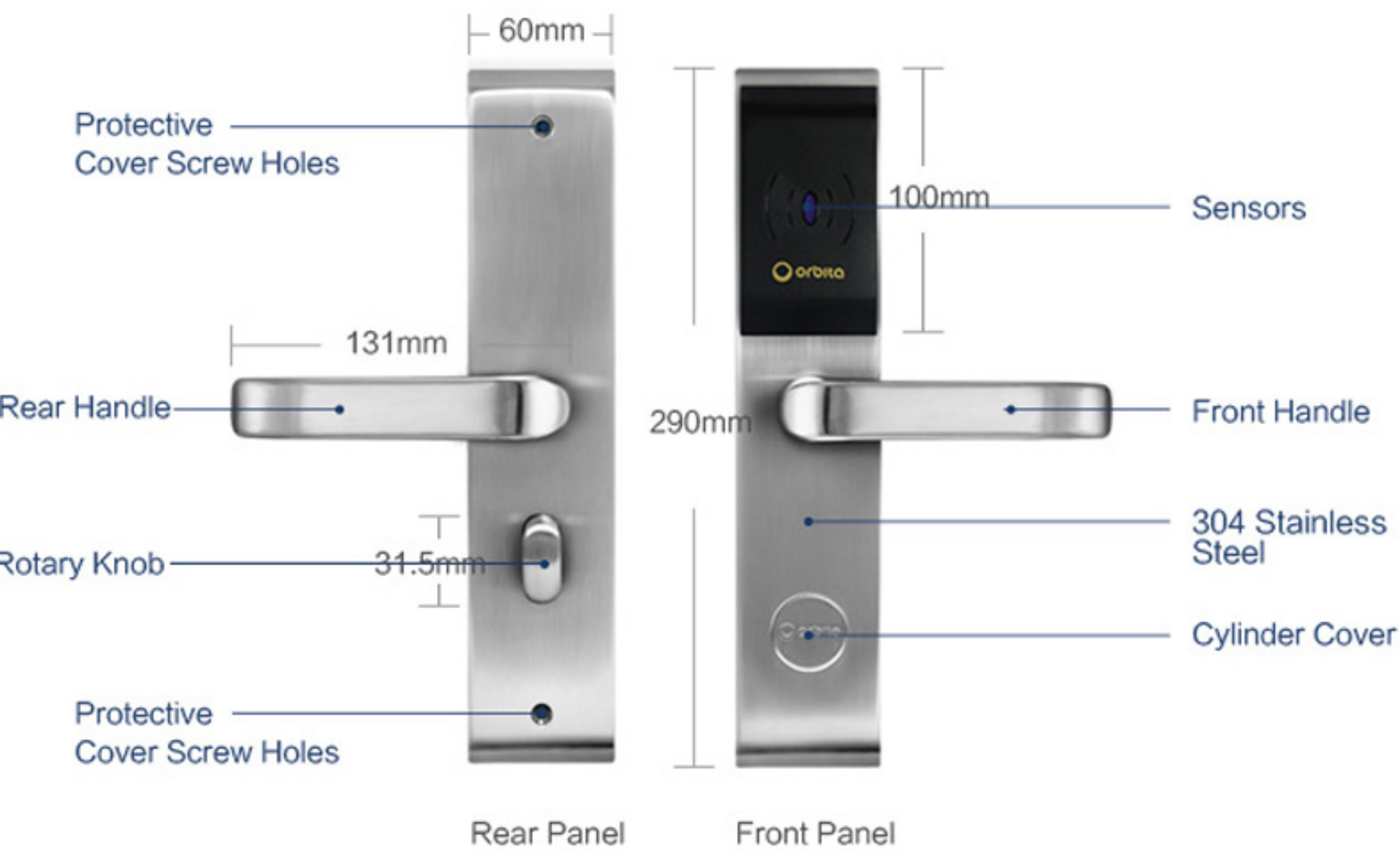
Orbita Hotel Locking System



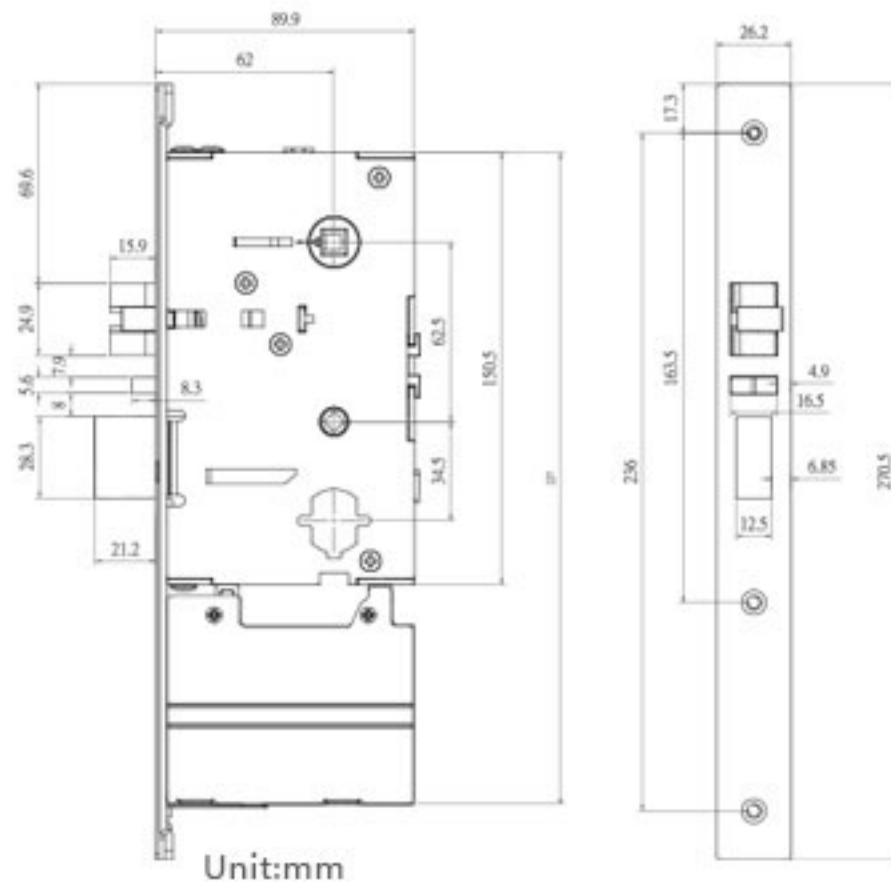
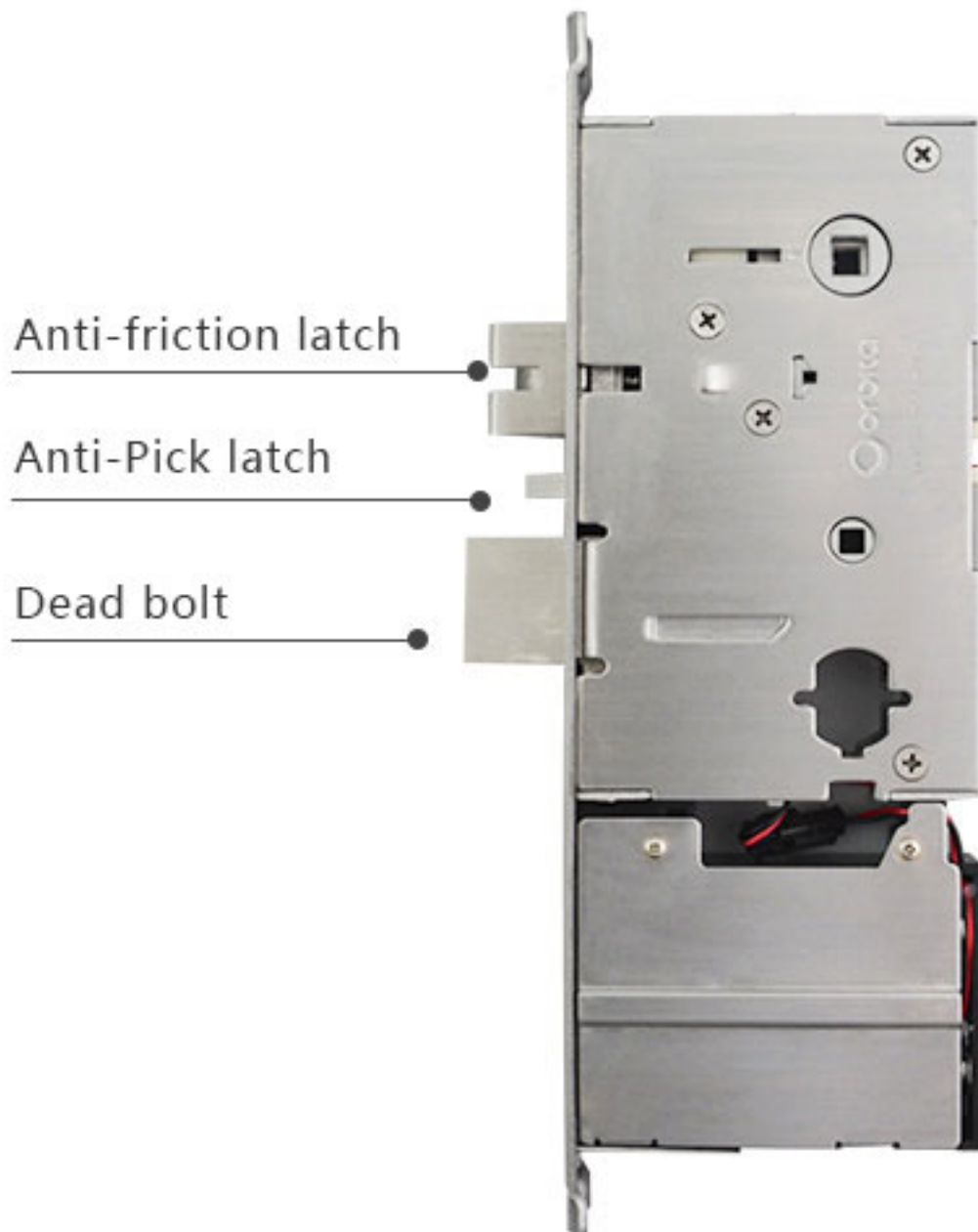
Handset OBT-PP01

Wireless Portable Programmer,
Helpful for Hotel Management

- Program locks
- Update clock
- Read & Download openings records
- Open locks as master card



with ANSI mortise



Mortise ANSI stainless steel latches

Certificates

Orbita has passed ISO-2015,CE,FCC,BHMA etc. certificates.

Orbita locking system certified by Opera/ Fidelio and other popular PMS system.

